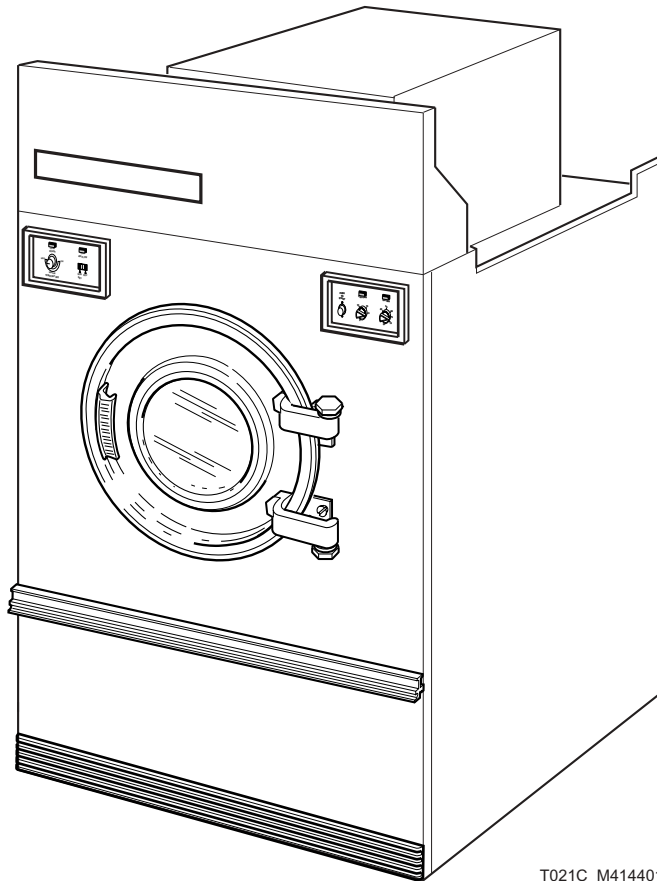


Drying Tumblers

120 Pound Capacity
Refer to Page 3 for Model Numbers



T021C_M414401

Table of Contents

Title	Page
Parts Ordering Information.....	2
Serial Plate Location	2
Model Identification	3
Dual Timer Controls	4
Temperature Controls	6
OPL Micro Control	8
OPL Micro Control	10
Access and Lint Panels.....	12
Front Panel	14
Door Assembly.....	16
Lint Screen and Drive Guard	18
Drive Sheave, Step Pulley and Belts	20
Trunnion Bearings.....	22
Cylinder Drive Motor	24
Fan Motor and Fan Assembly.....	26
Fan Motor and Fan Assembly.....	28
Cylinder and Trunnion Shaft	30
Gas Burner Unit	32
Gas Burner Orifices	34
Steam Heating Unit.....	36
Contactora Box	38
Contactora Box	40
Airflow Switch Assembly	42
Wire Harnesses	44
Wire Harnesses	44
Parts Index.....	45

© Copyright 2003, Alliance Laundry Systems LLC

All rights reserved. No part of the contents of this book may be reproduced or transmitted in any form or by any means without the expressed written consent of the publisher.

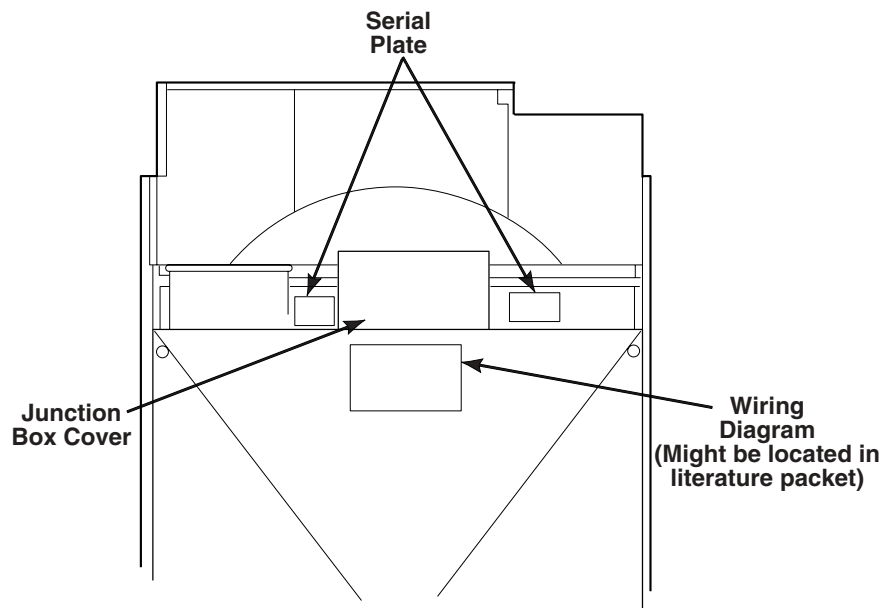
Parts Ordering Information

If literature or replacement parts are required, contact the source from whom the machine was purchased or contact Alliance Laundry Systems at (920) 748-3950 for the name and address of the nearest authorized parts distributor.

For technical assistance, call (920) 748-3121.

Serial Plate Location

When calling or writing about your product, be sure to mention model and serial numbers. Model and serial numbers are located on serial plate as shown.



TMB1497S_M414401

Model Identification

Information in this manual is applicable to these tumbler models:

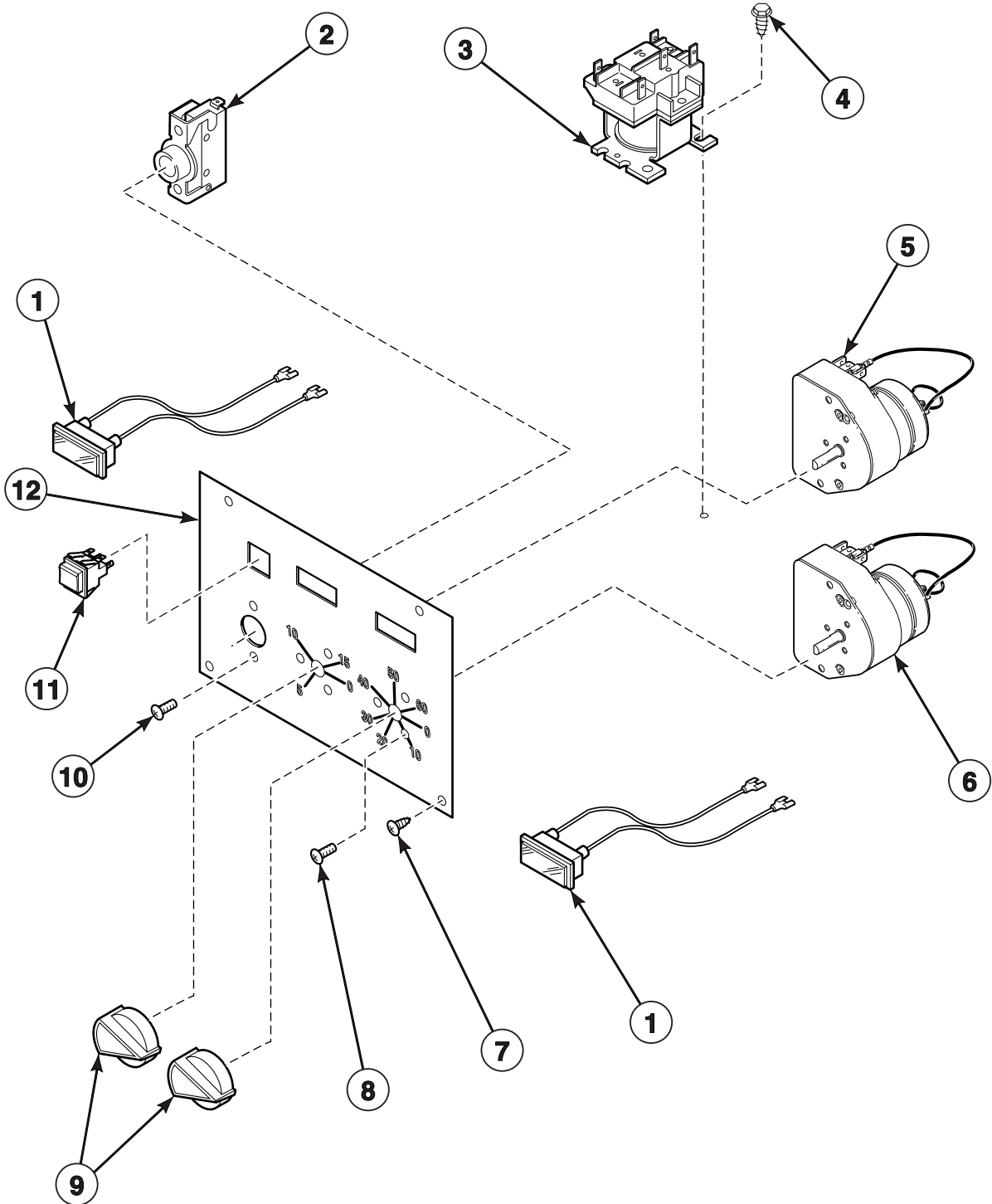
AT120CSH
AT120FG

DC120CSH
DC120FG
DT120CSH
DT120FG

JC120CSH
JC120FG
JT120CSH
JT120FG
JTD120CG
JTD120CSH

SC120AT
SC120CSH
SC120FG
ST120AT
ST120CSH
ST120FG
STD120CG
STD120CSH

Dual Timer Controls

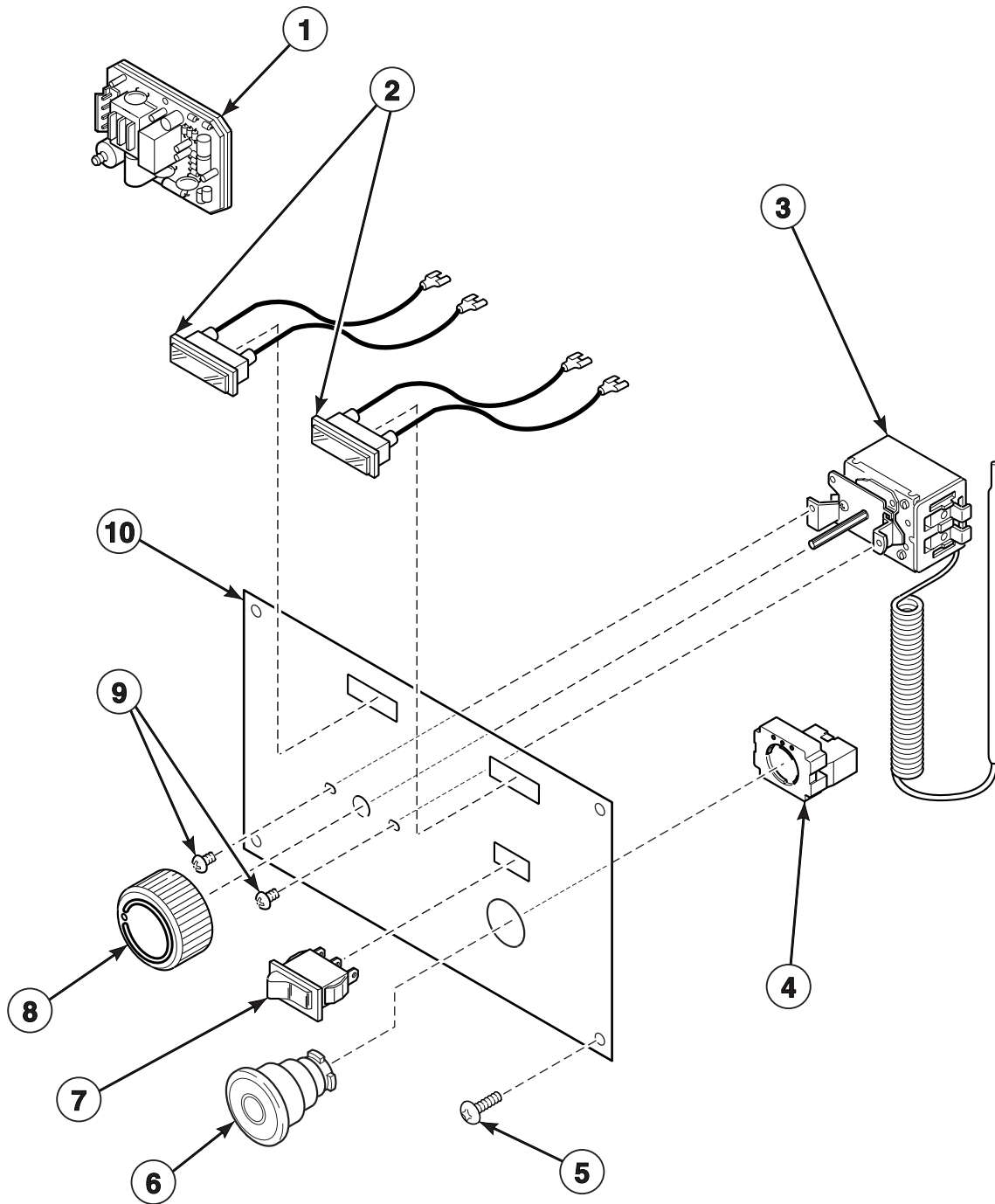


TMB1337P_M414401

Dual Timer Controls

REF	PART NO.	DESCRIPTION	COMMENTS
1	M400703	Light	60 Hertz; AT, DT, JT and ST Models
	M400704	Light	50 Hertz; DT, JT and ST Models
	M412234	Light	DC, JC and SC Models
2	M400954	Push-To-Start Switch	AT, DT, JT and ST Models
	M412230	Push-To-Start Switch	DC, JC and SC Models
3	M400912	Relay	60 Hertz
	M400911	Relay	50 Hertz; DT, JT and ST Models
4	51780	Screw	
5	M410900P	CoolingTimer	60 Hertz; 15 minute
	M410902P	CoolingTimer	50 Hertz; 15 minute
	M412079P	CoolingTimer	15 minute; DC, JC and SC Models
6	M410901P	Drying Timer	60 Hertz; 60 minute
	M410903P	Drying Timer	50 Hertz; 60 minute
	M412080P	Drying Timer	60 minute; DC, JC and SC Models
7	M401902	Screw	
8	M411052	Screw	
9	M400773	Timer Knob	AT, DC, DT, SC and ST Models
	M410927	Timer Knob	JC and JT Models
10	M400072	Screw	
11	M413431	Ignition Reset Switch	DC, JC and SC Models; Gas
12	M412964	Timer Graphic Panel	DT Models; Black
	M411575	Timer Graphic Panel	AT and ST Models
	M411576	Timer Graphic Panel	JT Models; Silver
	M411577	Timer Graphic Panel	JT Models; Cocoa
	M412339	Timer Graphic Panel	SC Models; Gas
	M412339R	Timer Graphic Panel	SC Models; Steam
	M412342	Timer Graphic Panel	JC Models
	M412975	Timer Graphic Panel	DC Models; Gas
	M412975R	Timer Graphic Panel	DC Models; Steam

Temperature Controls



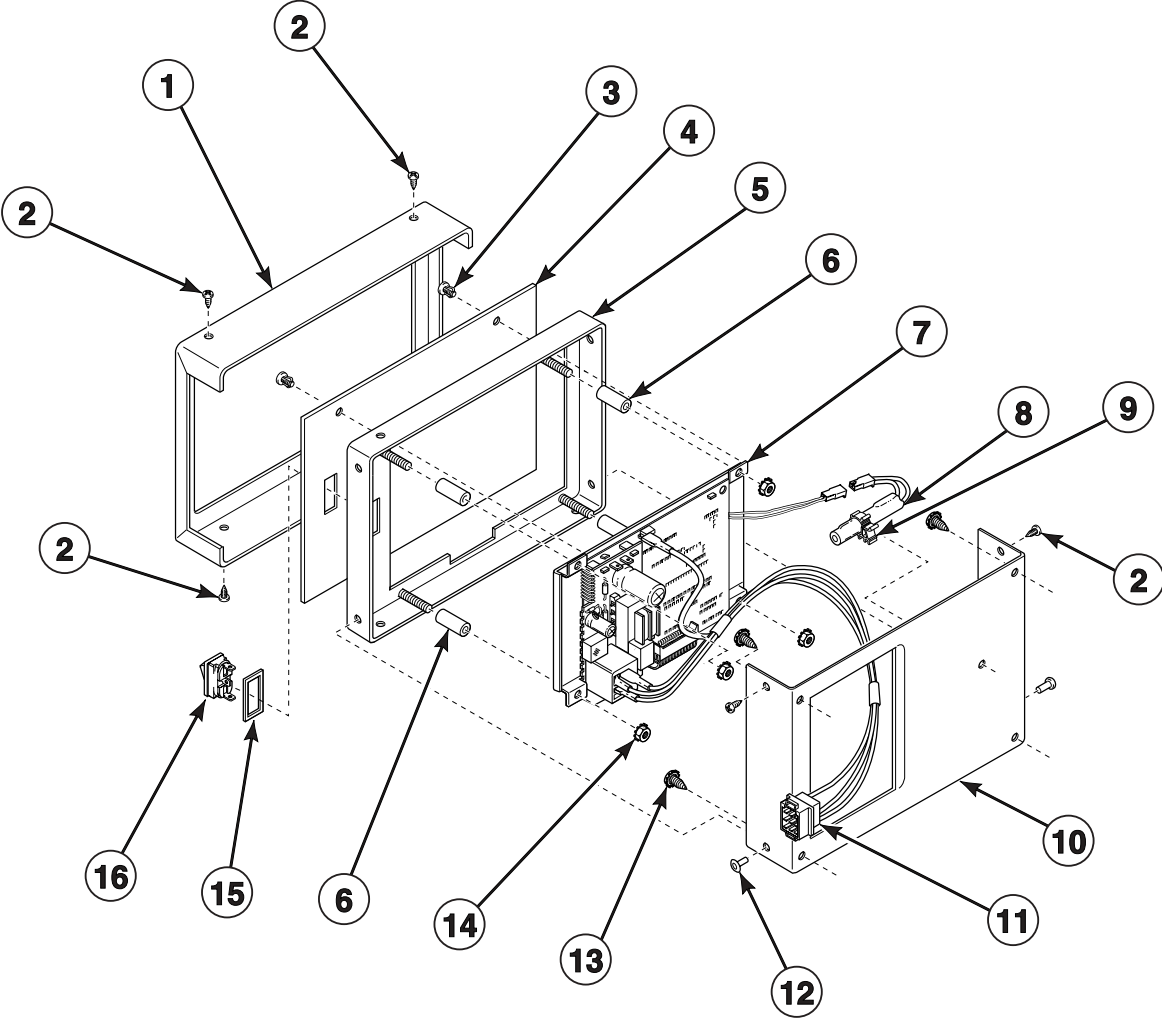
TMB1336P_M414401

Temperature Controls

REF	PART NO.	DESCRIPTION	COMMENTS
	91024	Fuse Holder	AT, DT, JT and ST Models
	M413118	Fuse	AT, DT, JT and ST Models
	M405363	Terminal Block	
	500823	Buzzer	60 Hertz
	500730	Buzzer	50 Hertz; DT, JT and ST Models
	502499	Buzzer	DC, JC and SC Models
	M401391P	Transformer	50 Hertz; DT, JT and ST Models; Gas Manual Timer Models; On 60 Hertz models, transformer is located in contactor box
1	M406789P	Ignition Control	60 Hertz; Gas Models
	M411282	Ignition Control	50 Hertz; DT, JT and ST Models; Gas
	M413433P	Ignition Control	50 Hertz; DC, JC and SC Models; Gas
2	M400703	Light	60 Hertz
	M400704	Light	50 Hertz; DT, JT and ST Models
	M412234	Light	50 Hertz; DC, JC and SC Models
3	M411333P	Thermostat	
4	M412231	Contact Block	DC, JC and SC Models
5	M401902	Screw	
6	M412232	Emergency Stop Button	DC, JC and SC Models
7	M413270	Reversing/Nonreversing Switch	
8	M411344	Temperature Knob	AT, DC, DT, SC and ST Models
	M411345	Temperature Knob	JC and JT Models
9	M400072	Screw	
10	M412965	Temperature Graphic Panel	DT Models
	M411572	Temperature Graphic Panel	AT and ST Models
	M411573	Temperature Graphic Panel	JT Models; Silver
	M411574	Temperature Graphic Panel	JT Models; Cocoa
	M412338	Temperature Graphic Panel	SC Models
	M412341	Temperature Graphic Panel	JC Models
	M412976	Temperature Graphic Panel	DC Models

OPL Micro Control

MM Models



T331PZ3E_M414401

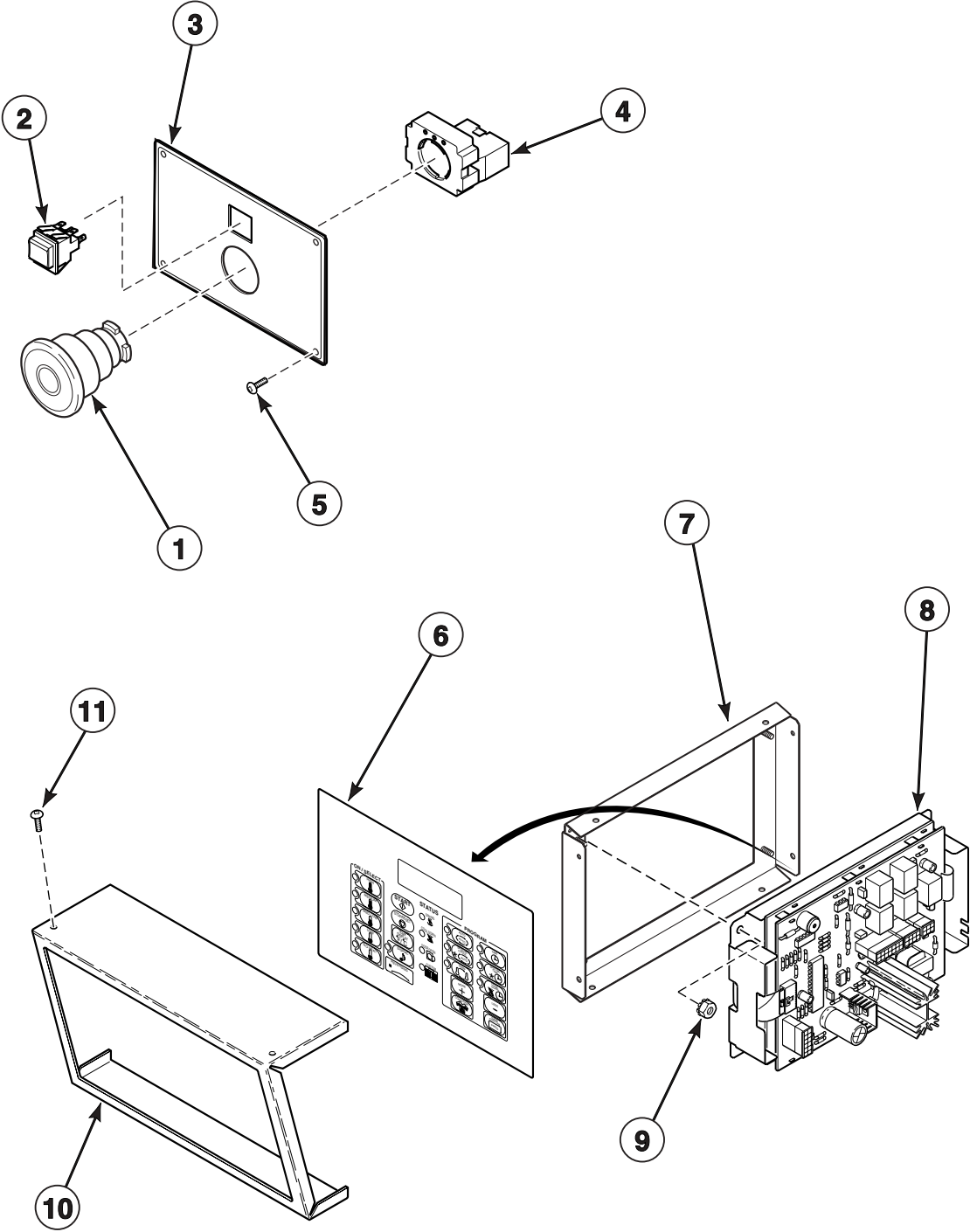
OPL Micro Control

REF	PART NO.	DESCRIPTION	COMMENTS
1	M413089*	Face Plate	
2	M400664	Screw	
3	M410665	Hole Plug	
4	M412961	Touchpad	DT Models
	M410682	Touchpad	ST Models
	M410704	Touchpad	JT Models
5	M413094	Micro-Mounting Plate	
6	M413252	Spacer	
7	M410786P	Control	
8	M410826	Battery	
9	M411231	Clamp	
10	M413091*	Mounting Plate	
11	M413146	Harness	
12	M400713	Rivet	
13	M401902	Screw	
14	70054	Nut	
15	M413236	Switch Plate	
16	M413270	Switch	

* Add Letter To Designate Color. B - Battina Green H - Harvest Gold K - Red L - Almond P - Turquoise V - Orange
W - White X - Electric Blue

OPL Micro Control

OM Models



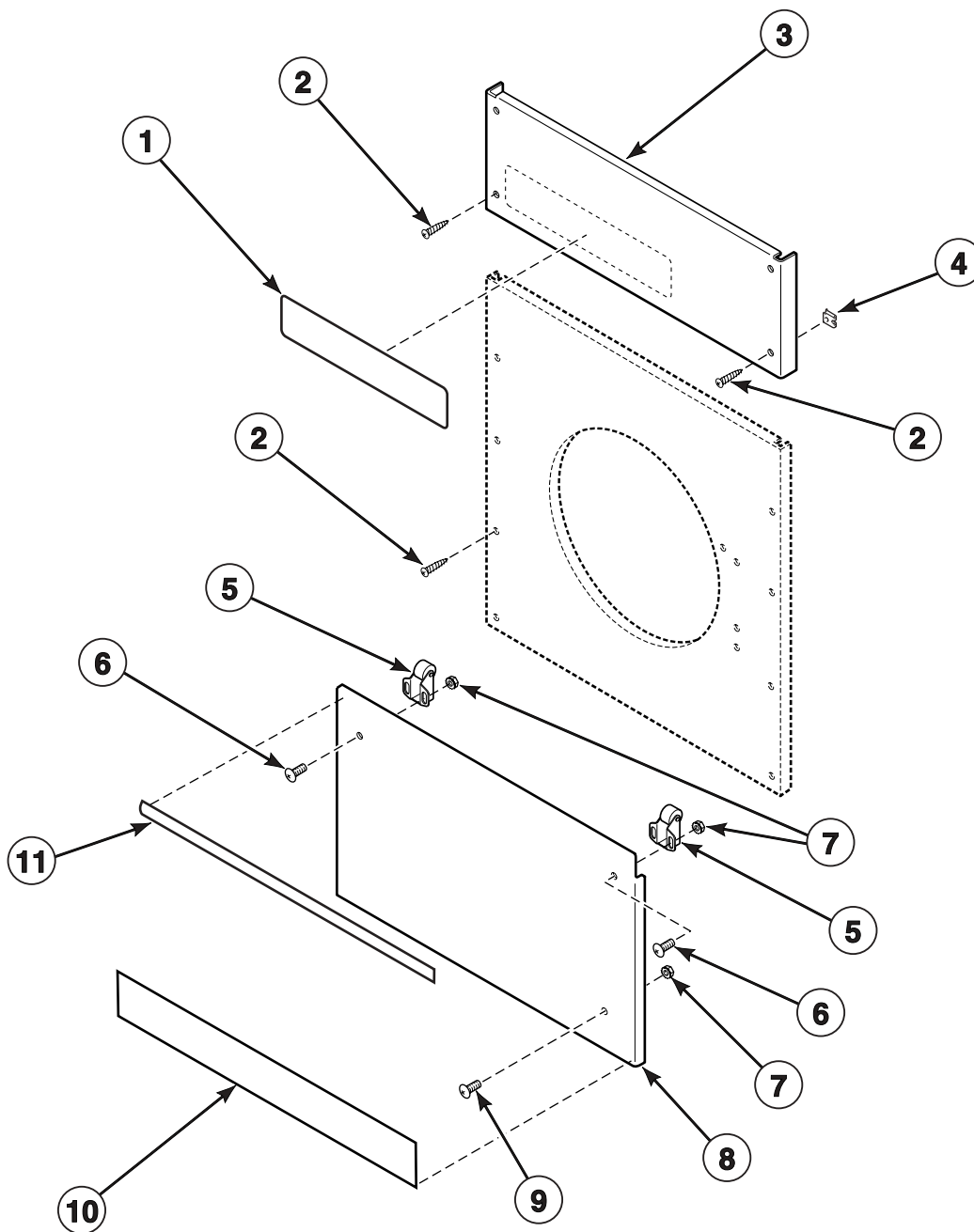
TMB1326P_M414401

OPL Micro Control

REF	PART NO.	DESCRIPTION	COMMENTS
1	M412233	Emergency Stop Button	DC, JC and SC Models
2	M413431	Ignition Reset Switch	DC, JC and SC Models; Gas
3	M414245	Emergency Stop Graphic Panel	DC and SC Models; Gas
	M414245R	Emergency Stop Graphic Panel	DC and SC Models; Steam
	M414246	Emergency Stop Graphic Panel	JC Models; Gas
	M414246R	Emergency Stop Graphic Panel	JC Models; Steam
4	M412231	Contact Block	DC, JC and SC Models
5	M401902	Screw	
6	M413418	Graphic Panel	AT and ST Models
	M413420	Graphic Panel	DC and SC Models
	M413422	Graphic Panel	JT Models
	M413424	Graphic Panel	JC Models
	M413426	Graphic Panel	DT Models
7	M413804	Mounting Plate	
8	70228401P	Control	
9	70054	Nut	
10	M413793*	Face Plate	
11	M400664	Screw	

* Add Letter To Designate Color. B - Battina Green H - Harvest Gold K - Red L - Almond P - Turquoise V - Orange
W - White X - Electric Blue

Access and Lint Panels



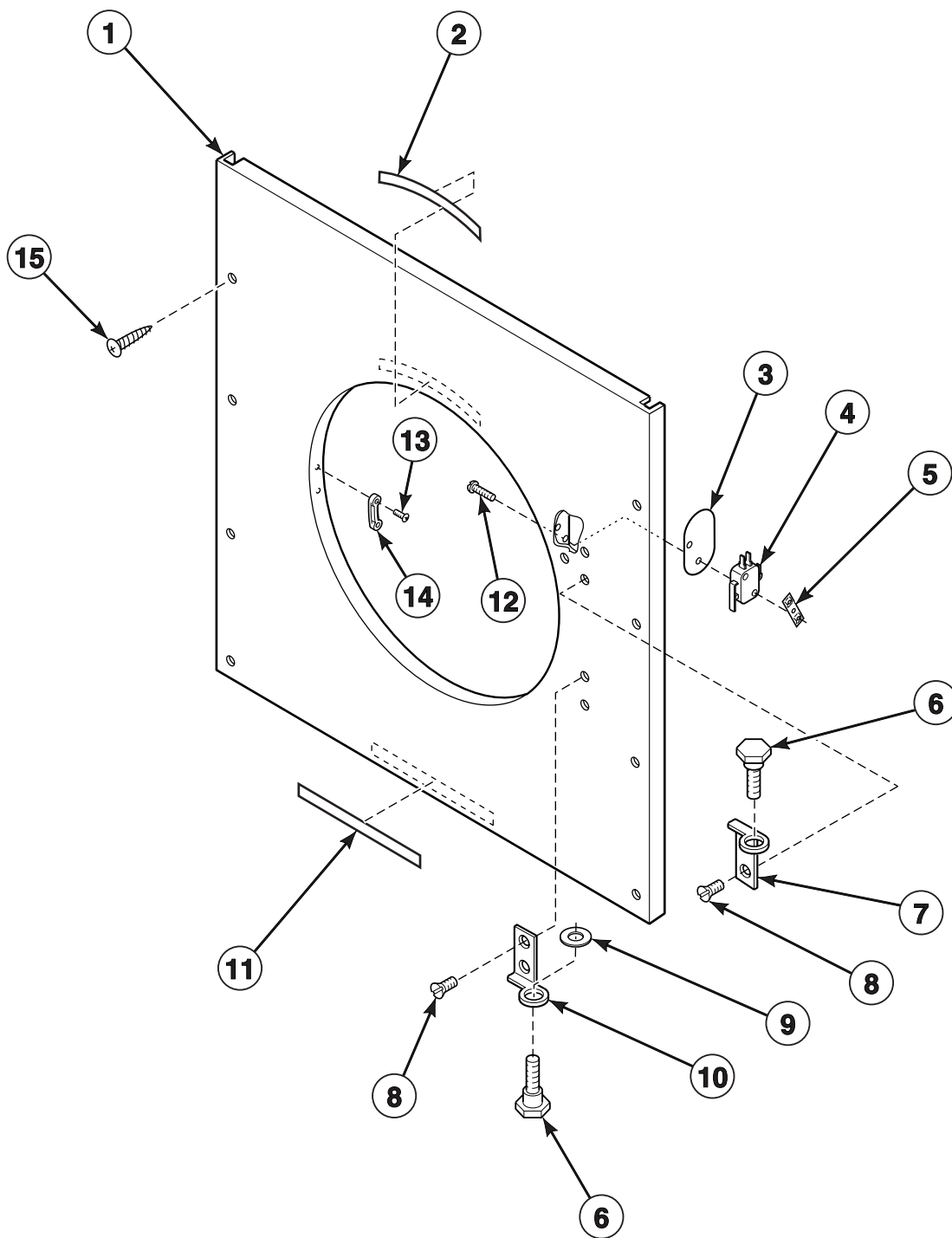
TMB1729P_M414401

Access and Lint Panels

REF	PART NO.	DESCRIPTION	COMMENTS
	430757	Screw	6 required; Not included with Item 11
1	M412963	Nameplate	DC and DT Models
	M410355	Nameplate	SC and ST Models
	M411562	Nameplate	JC and JT Models
	70240901	Nameplate	AT Models
2	M411267	Screw	
3	M411348*	Top Access Panel	Painted
	M411349	Top Access Panel	Stainless Steel
4	H8841927H	U-Clip	Speed nut
5	H87020202	Roller Catch with Strike	
6	M400044	Screw	
7	23951	Nut	
8	M411453*P	Lint Panel	Painted
	M411454	Lint Panel	Stainless Steel
9	M414504	Screw	
10	M414439P	Kickplate	
11	M411558	Bumper	Black
	M411559	Bumper	Cocoa

* Add Letter To Designate Color. B - Battina Green H - Harvest Gold K - Red L - Almond P - Turquoise V - Orange
W - White X - Electric Blue

Front Panel



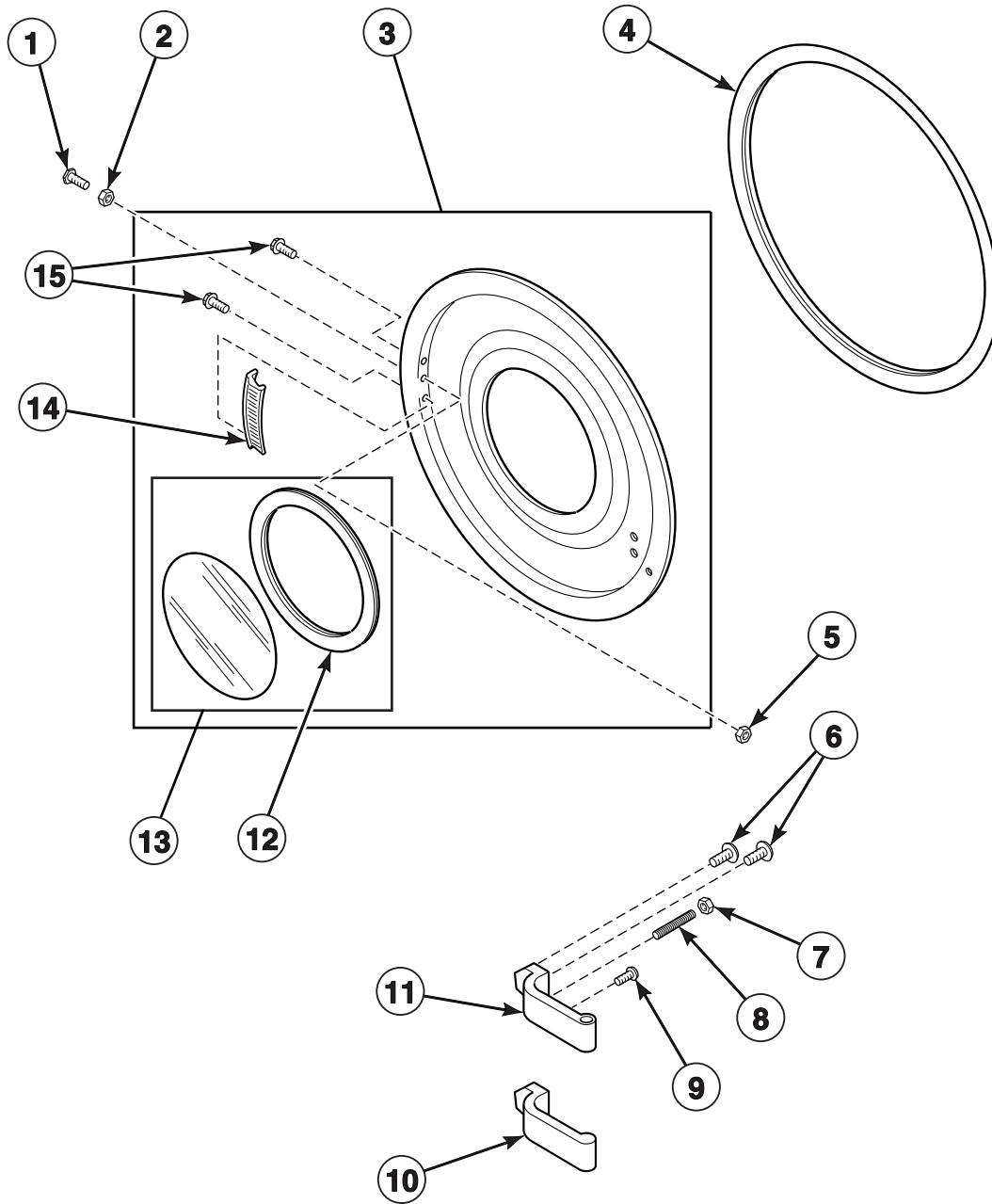
TMB1730P_M414401

Front Panel

REF	PART NO.	DESCRIPTION	COMMENTS
	M412551	Door Switch Coupler	DC, JC and SC Models
1	M411383*	Front Panel	Painted; AT, DT, JT and ST Models; Manual Timer Models
	M411384	Front Panel	Stainless Steel; AT, DT, JT and ST Models; Manual Timer Models
	M413074*	Front Panel	Painted; DC, JC and SC Models
	M413075	Front Panel	Stainless Steel; DC, JC and SC Models
	M413092*P	Front Panel	Painted; AT, DT, JT and ST Models; Micro Control Models
	M413274	Front Panel	Stainless Steel; AT, DT, JT and ST Models; Micro Control Models
2	M410892	Warning Label	
3	H96418728	Insulator	
4	H96422241	Door Switch	AT, DT, JT and ST Models
	M412372	Door Switch	DC, JC and SC Models
5	M400979	Twin Nut	
6	M410029	Hinge Pin	AT, DT, JT and ST Models
	M412749	Hinge Pin	DC, JC and SC Models
7	M410041P	Upper Panel Hinge	
8	H88129648	Screw	
9	M400671	Washer	
10	M410042P	Lower Panel Hinge	
11	M431106	Warning Label	AT, DT and ST Models
	430527	Warning Label	JT Models
12	H88110267	Screw	AT, DT, JT and ST Models
	M412531	Screw	DC, JC and SC Models
13	M400072	Screw	
14	M401223	Door Catch	
15	M411267	Screw	

* Add Letter To Designate Color. B - Battina Green H - Harvest Gold K - Red L - Almond P - Turquoise V - Orange
W - White X - Electric Blue

Door Assembly



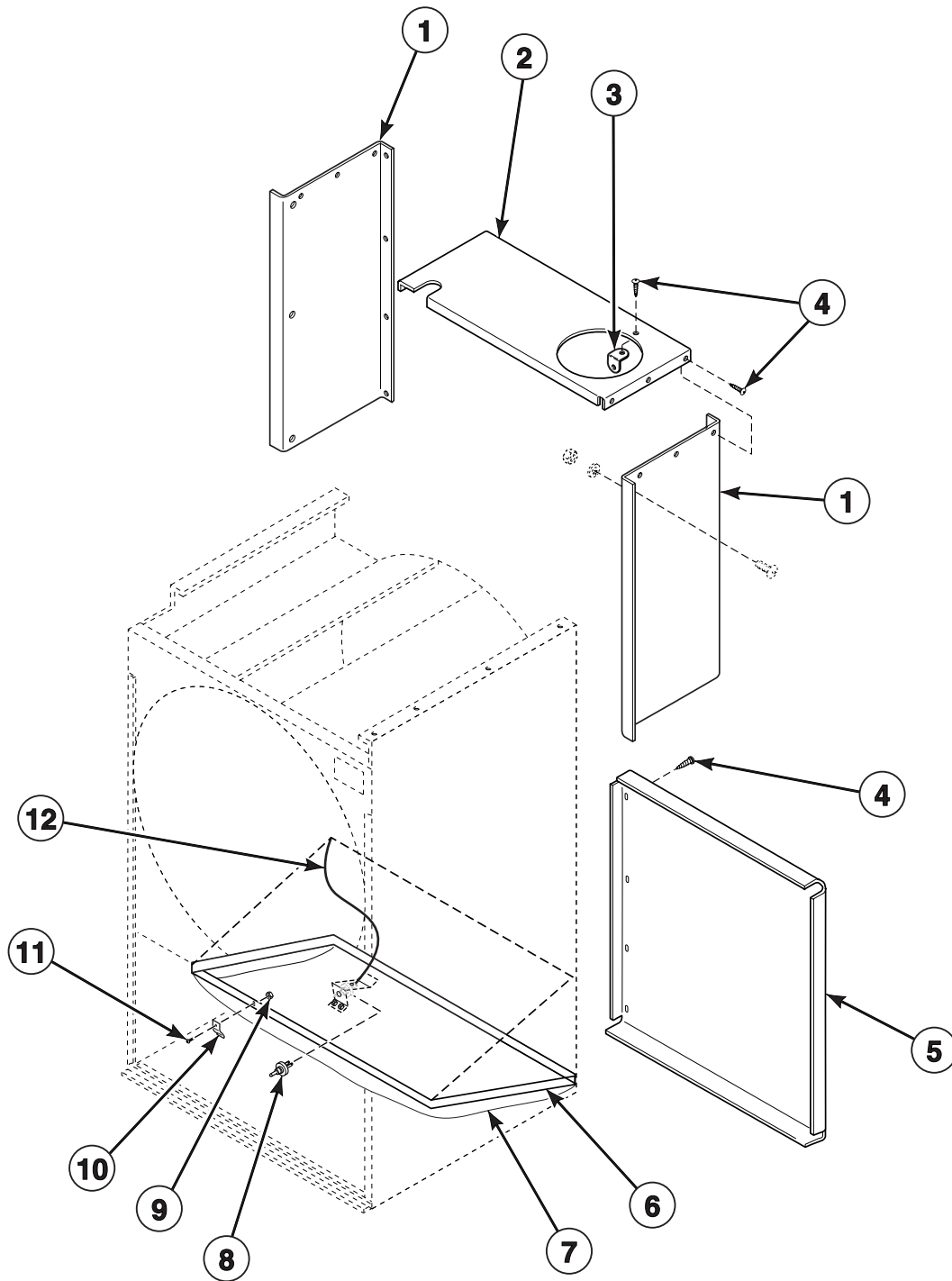
TMB2062P_M414401

Door Assembly

REF	PART NO.	DESCRIPTION	COMMENTS
1	M400661	Door Strike Screw	Not included with Item 3
2	Q6163	Nut	Not included with Item 3
3	M410289*	Door Assembly	Painted
	M410290	Door Assembly	Stainless Steel
4	H96409156	Door Gasket	Not included with Item 3
5	70054	Nut	Not included with Item 3
6	H88129648	Screw Hinge Mounting	Not included with Item 3
7	51236	Nut	Not included with Item 3
8	M409976	Actuator Screw	Not included with Item 3
9	M400044	Screw Hinge Mounting	Not included with Item 3
10	M410031	Lower Door Hinge	JT Models; Not included with Item 3
	M410702	Lower Door Hinge	AT, DT and ST Models; Not included with Item 3
11	M410030	Upper Door Hinge	JT Models; Not included with Item 3
	M410701	Upper Door Hinge	AT, DT and ST Models; Not included with Item 3
12	M409900	Door Glass Seal	
13	M409899P	Door Glass and Seal Kit	Includes item 12
14	M400133	Door Handle	
15	M409385	Screw	

* Add Letter To Designate Color. B - Battina Green H - Harvest Gold K - Red L - Almond P - Turquoise V - Orange
W - White X - Electric Blue

Lint Screen and Drive Guard

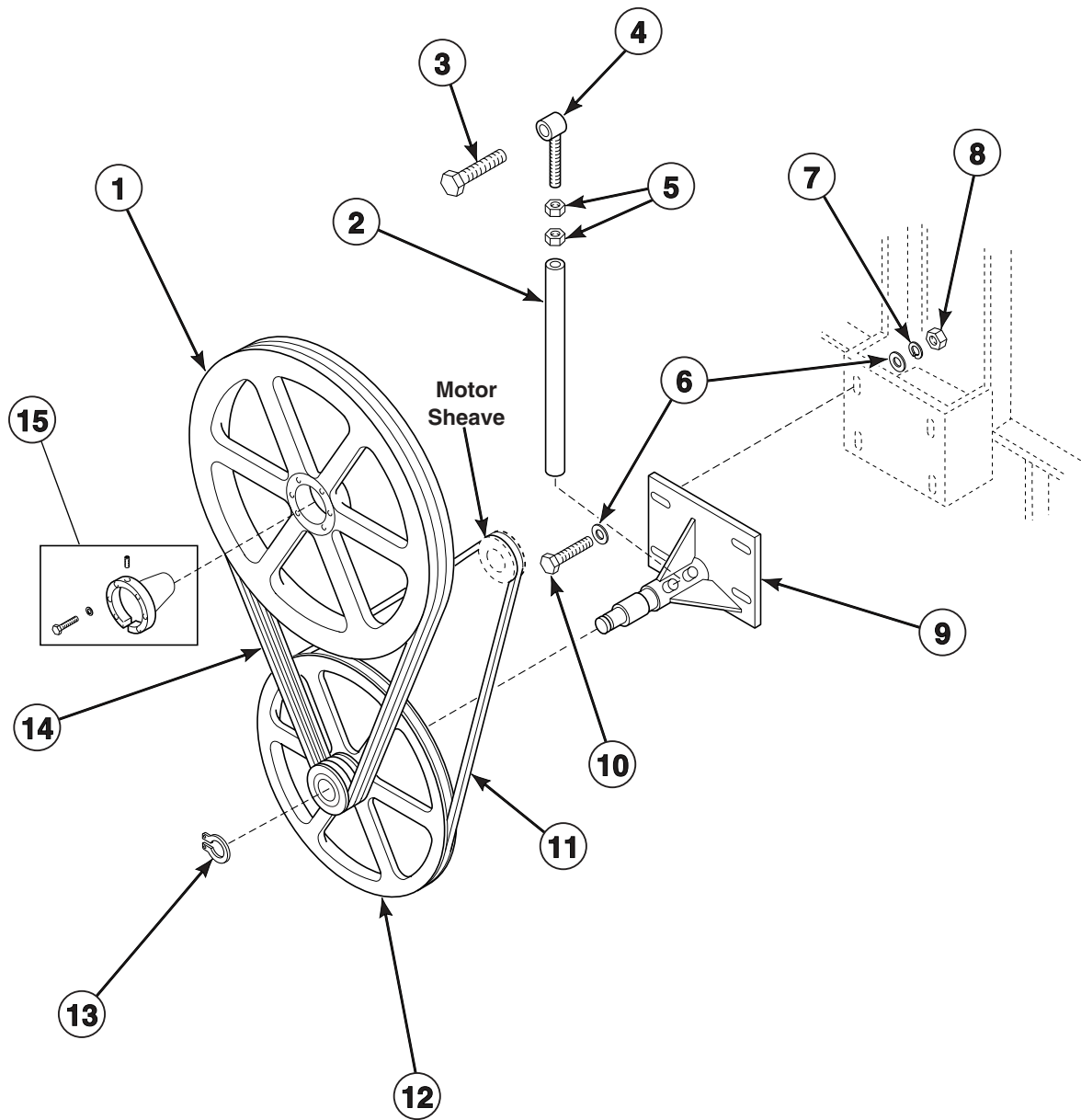


TMB1338P_M414401

Lint Screen and Drive Guard

REF	PART NO.	DESCRIPTION	COMMENTS
	M411223	Drive Guard Bottom	
1	M414491	Drive Guard Side	
2	M411222	Drive Guard Top	
3	H96359021	Bracket	
4	M400664	Screw	
5	M414492	Drive Guard Cover	
6	M409652	Lint Screen Frame	
7	44063602	Lint Screen	
	44039002	Lint Screen	With snaps
8	M414704	Thermistor	OM Micro Control Models
	M413212	Thermistor	MM Micro Control Models
9	23951	Nut	
10	H96418413	Lint Screen Clip	
11	M400044	Screw	
12	M413552	Thermistor Cable	OM Micro Control Models
	M413343	Thermistor Cable	MM Micro Control Models

Drive Sheave, Step Pulley and Belts

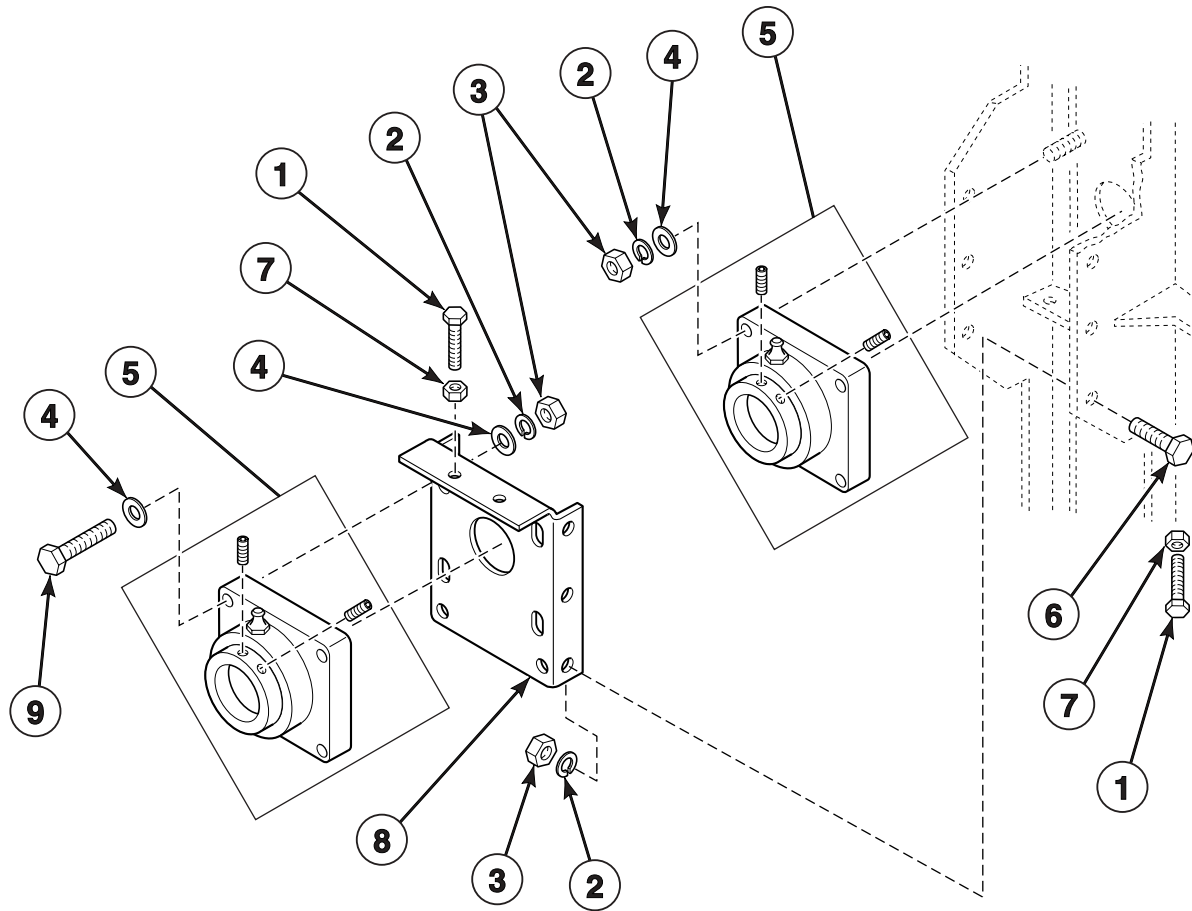


T249PZ3B_M414401

Drive Sheave, Step Pulley and Belts

REF	PART NO.	DESCRIPTION	COMMENTS
	M414367	Step Pulley Bearings	Outer
	H87672374	Step Pulley Bearings	Inner
	H88603477	Retainer Ring	2 required
1	H8752251H	Sheave	
2	H96428487	Tube	
3	H88001565	Bolt	
4	M411337	Eyebolt	
5	M404993	Nut	
6	M400081	Washer	
7	M400014	Lockwasher	
8	20274	Nut	
9	H96357751	Jackshaft Assembly	
10	22688	Screw	
11	H87533014	Belt	
12	H96428024	Step Pulley	
13	H88602263	Retainer Ring	
14	H87533816P	Belt	Set of 3
15	H8752985H	Bushing	

Trunnion Bearings

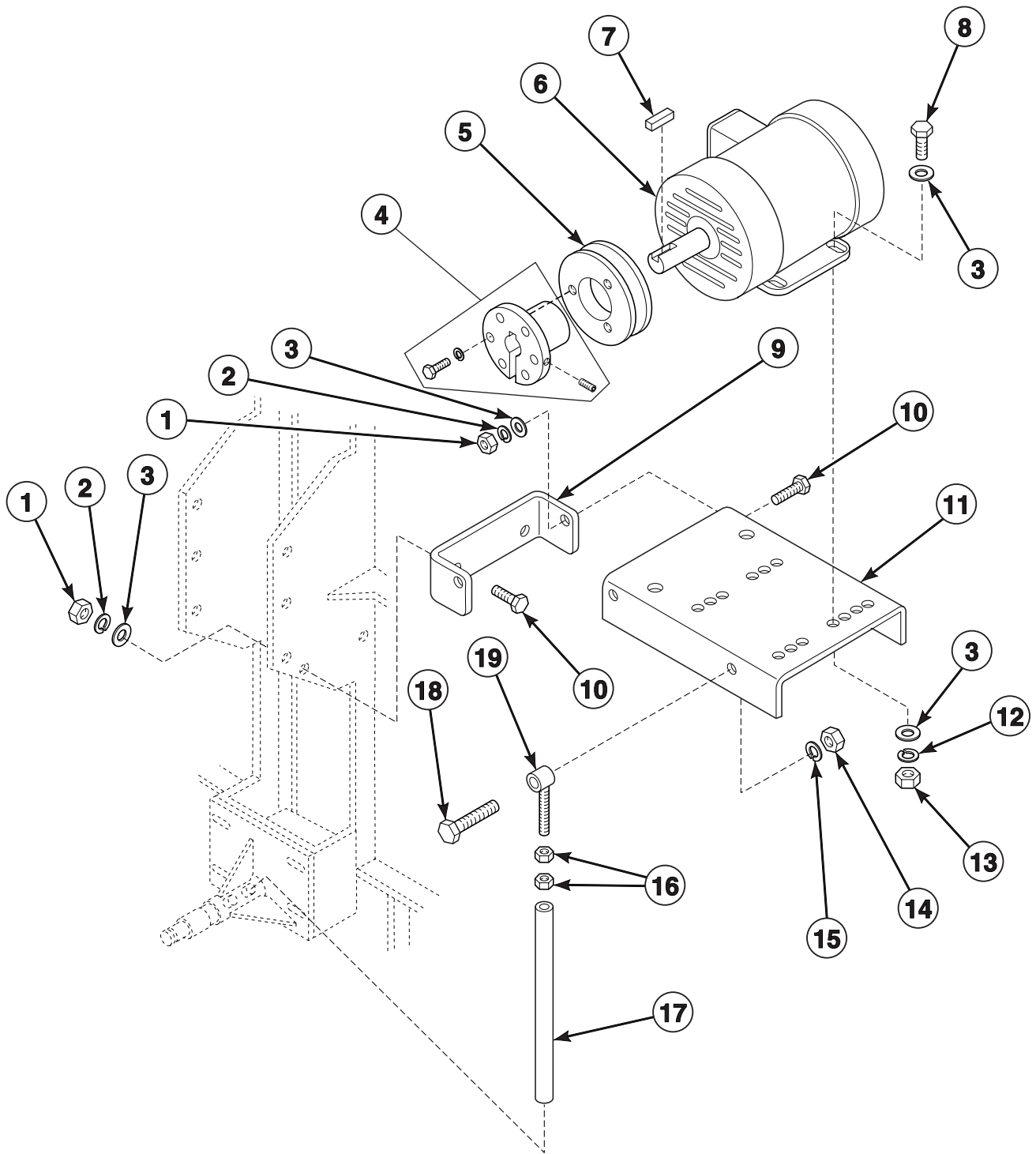


TMB1733P_M414401

Trunnion Bearings

REF	PART NO.	DESCRIPTION	COMMENTS
1	H88213996	Screw	
2	M400015	Lockwasher	
3	H88412101	Nut	
4	Q6712	Washer	
5	H87625430	Trunnion Bearing	
6	H88012034	Screw	
7	20274	Nut	
8	H96428008	Mounting Bracket	
9	M411165	Screw	

Cylinder Drive Motor



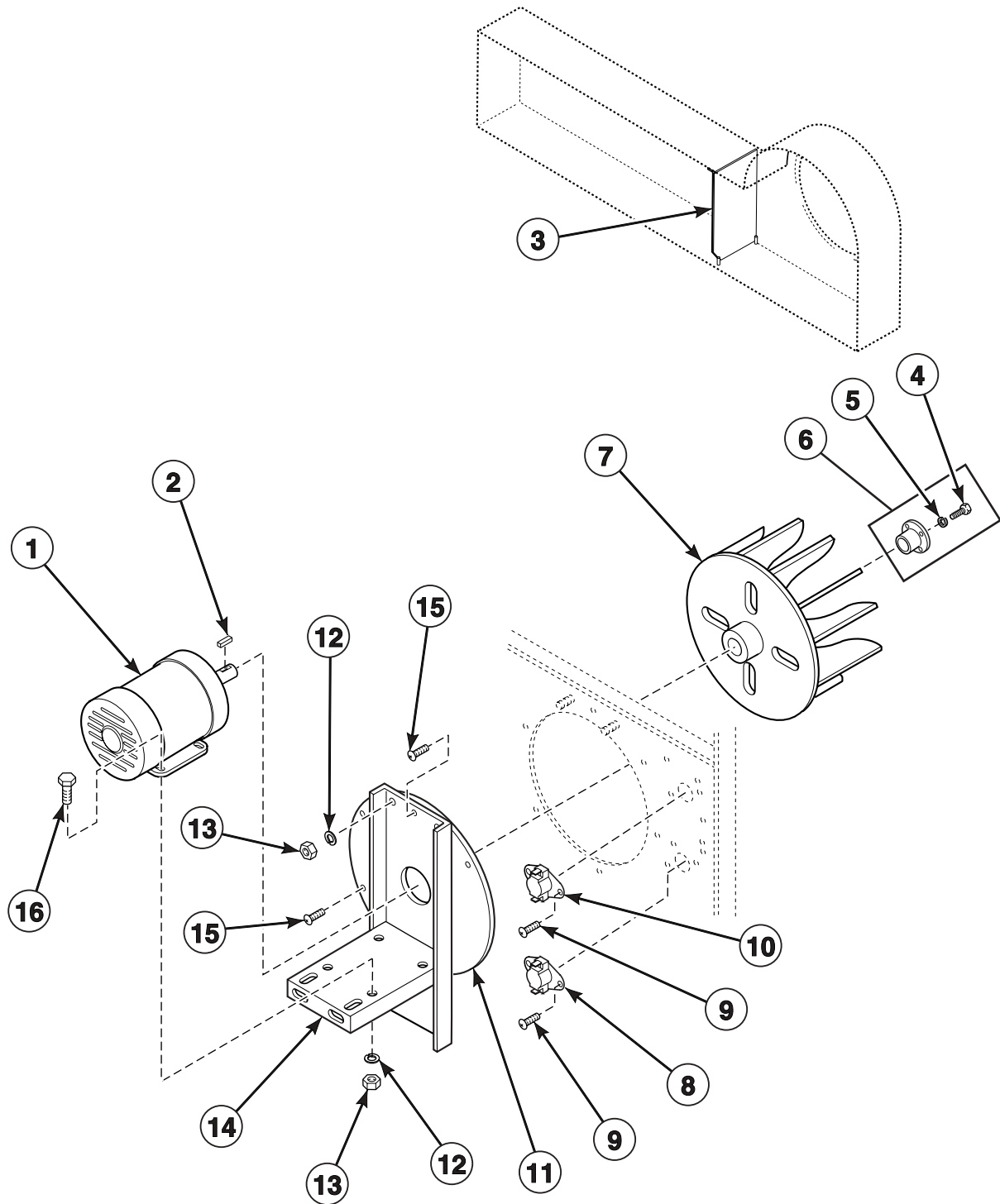
T534P_M414401

Cylinder Drive Motor

REF	PART NO.	DESCRIPTION	COMMENTS
1	20274	Nut	
2	M400014	Lockwasher	
3	M400080	Washer	
4	H87529129	Taper Bushing	60 Hertz
	H87529111	Taper Bushing	50 Hertz
5	H87520466	Drive Sheave	60 Hertz
	H87520334	Drive Sheave	50 Hertz
6	44052901	Cylinder Drive Motor	208-240-480 Volt/60 Hertz/3 Phase
	44053001	Cylinder Drive Motor	220-380-415 Volt/50 Hertz/3 Phase
7	H8752006H	Key	
8	M400056	Screw	
9	H96428693	Bracket	
10	22688	Screw	
11	M413171	Motor Base	
12	M400013	Lockwasher	
13	70142	Nut	
14	H88412093	Nut	
15	H88511118	Lockwasher	
16	M404993	Nut	
17	H96428479	Tube	
18	H88001565	Screw	
19	M411337	Eyebolt	

Fan Motor and Fan Assembly

60 Hertz Models



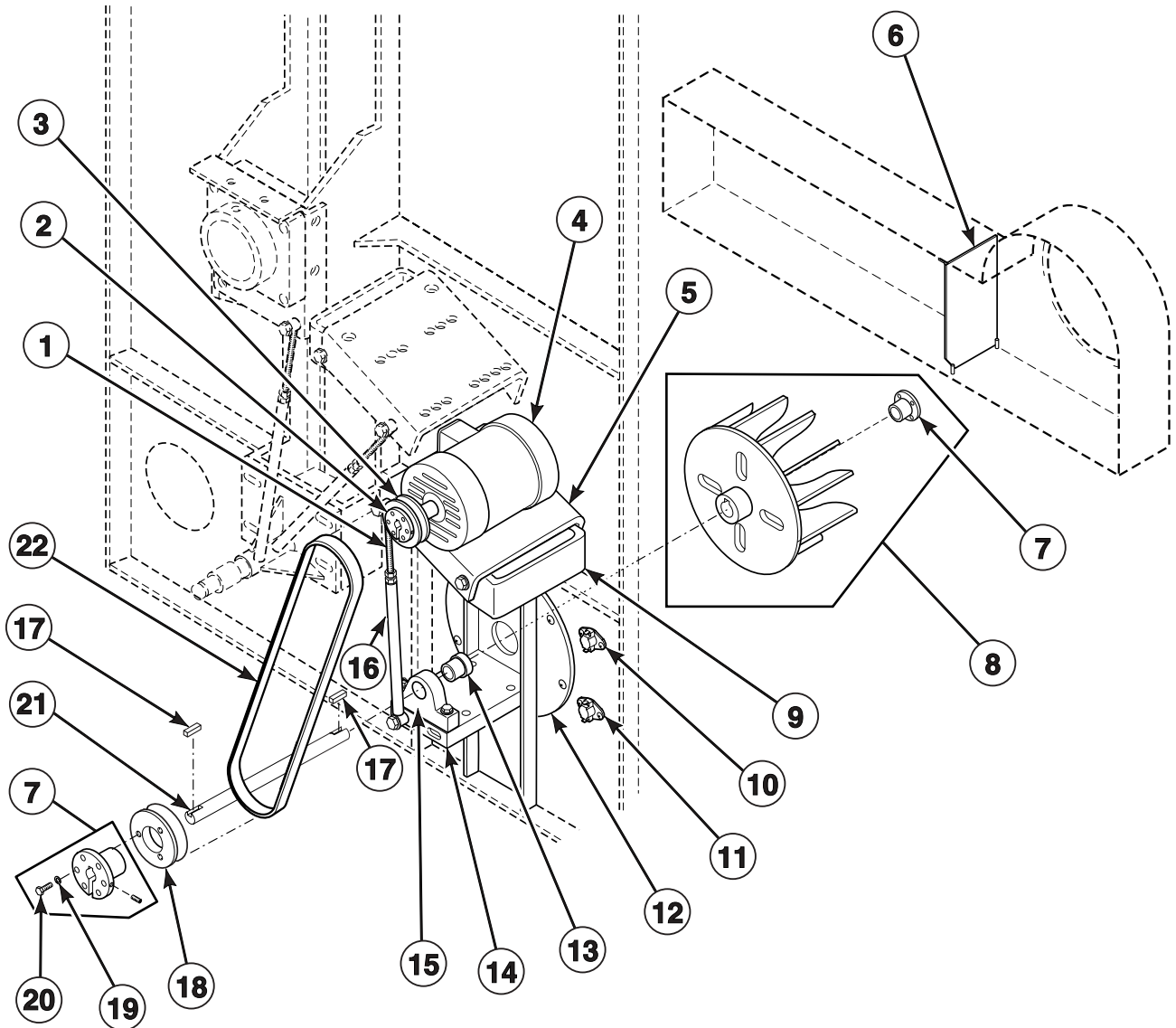
TMB1734P_M414401

Fan Motor and Fan Assembly

REF	PART NO.	DESCRIPTION	COMMENTS
1	M410860P	Motor	208-230-460 Volt/60 Hertz/3 Phase
2	H8752006H	Key	
3	M409967	Damper and Hinge	
4	H8800901H	Screw	
5	56552	Lockwasher	
6	H87529111	Bushing	Includes items 4 and 5
7	M414546	Fan	
8	H8900530H	Thermostat	Load Ready
9	430497	Screw	
10	M411403	Thermostat	High Limit; AT, DT, JT and ST Models
11	H96358007	Fan Cover	
12	M400013	Lockwasher	
13	70142	Nut	
14	H608P3	Blower Motor Base Kit	
15	51778	Screw	
16	M400056	Screw	

Fan Motor and Fan Assembly

50 Hertz Models

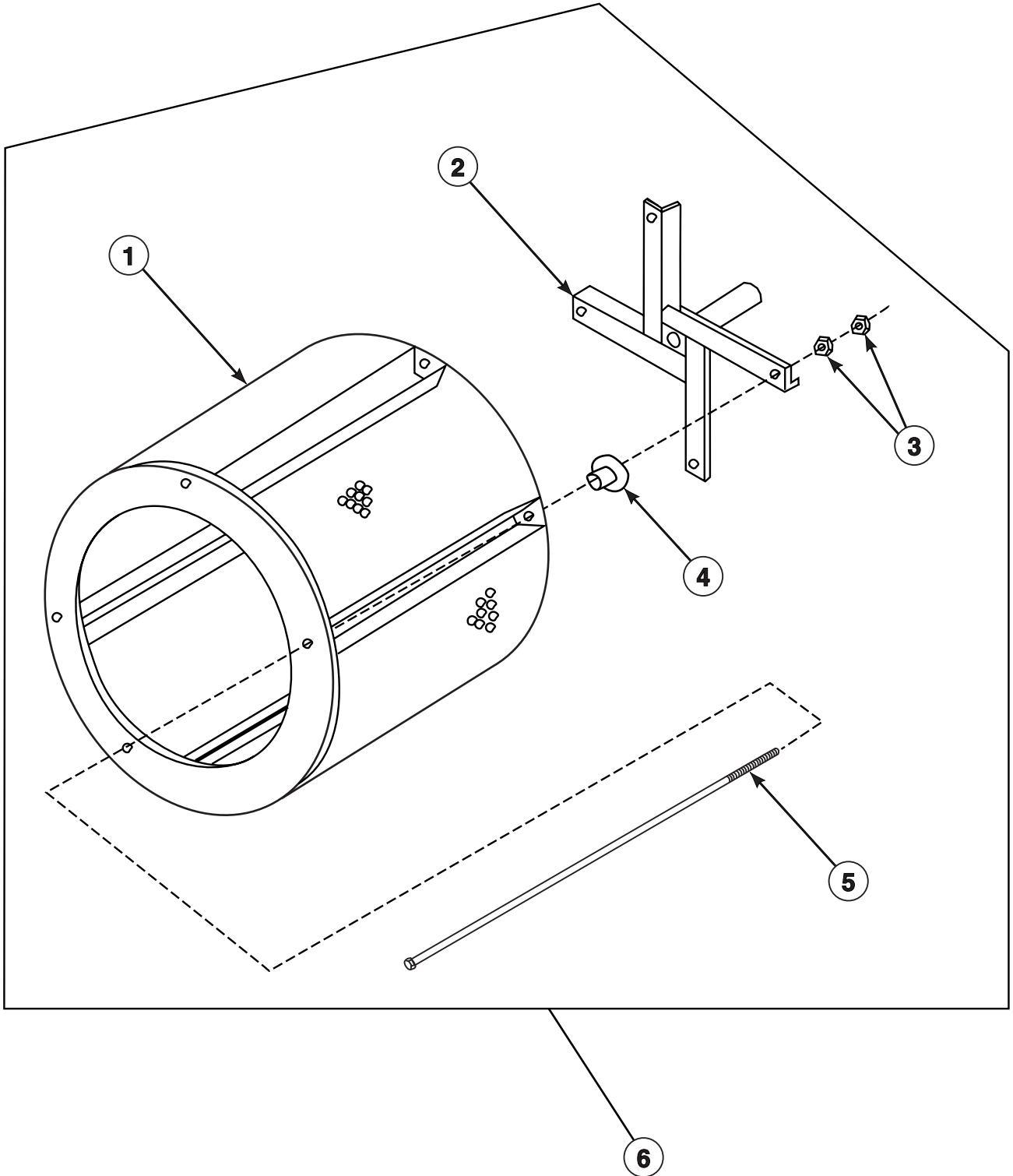


T536P_M414401

Fan Motor and Fan Assembly

REF	PART NO.	DESCRIPTION	COMMENTS
	H8768302H	Flangette	2 required
1	M411337	Eyebolt	
2	H87529111	Bushing	Includes Items 19 and 20
3	H87520334	Sheave	
4	M412646	Fan Motor	220-380-415 Volt/50 Hertz/3 Phase
5	M413171	Motor Base	
6	M409967	Damper and Hinge	
7	M412917	Bushing	Includes Items 19 and 20
8	M414546	Fan and Bushing Assembly	Includes Items 7, 19 and 20
9	H96428693	Bracket	
10	M411946	Thermostat	High Limit; DT, JT and ST Models; Manual Timer Models; All Micro Control Models
	M413088	Thermostat	High Limit; DC, JC and SC Models; Manual Timer Models
11	H8900530H	Thermostat	Load Ready
12	H96358007	Cover	
13	H8768212H	Bearing Insert	For flangettes and pillow block
14	H608P3	Base Kit	
15	H8762002H	Pillow Block w/Bearing Insert	Includes Item 13
16	H96428628	Tube	
17	H8752006H	Key	
18	H87520284	Sheave	
19	56552	Lockwasher	
20	H8800901H	Screw	
21	M412000	Fan Shaft	
22	H8753170H	Belt	

Cylinder and Trunnion Shaft

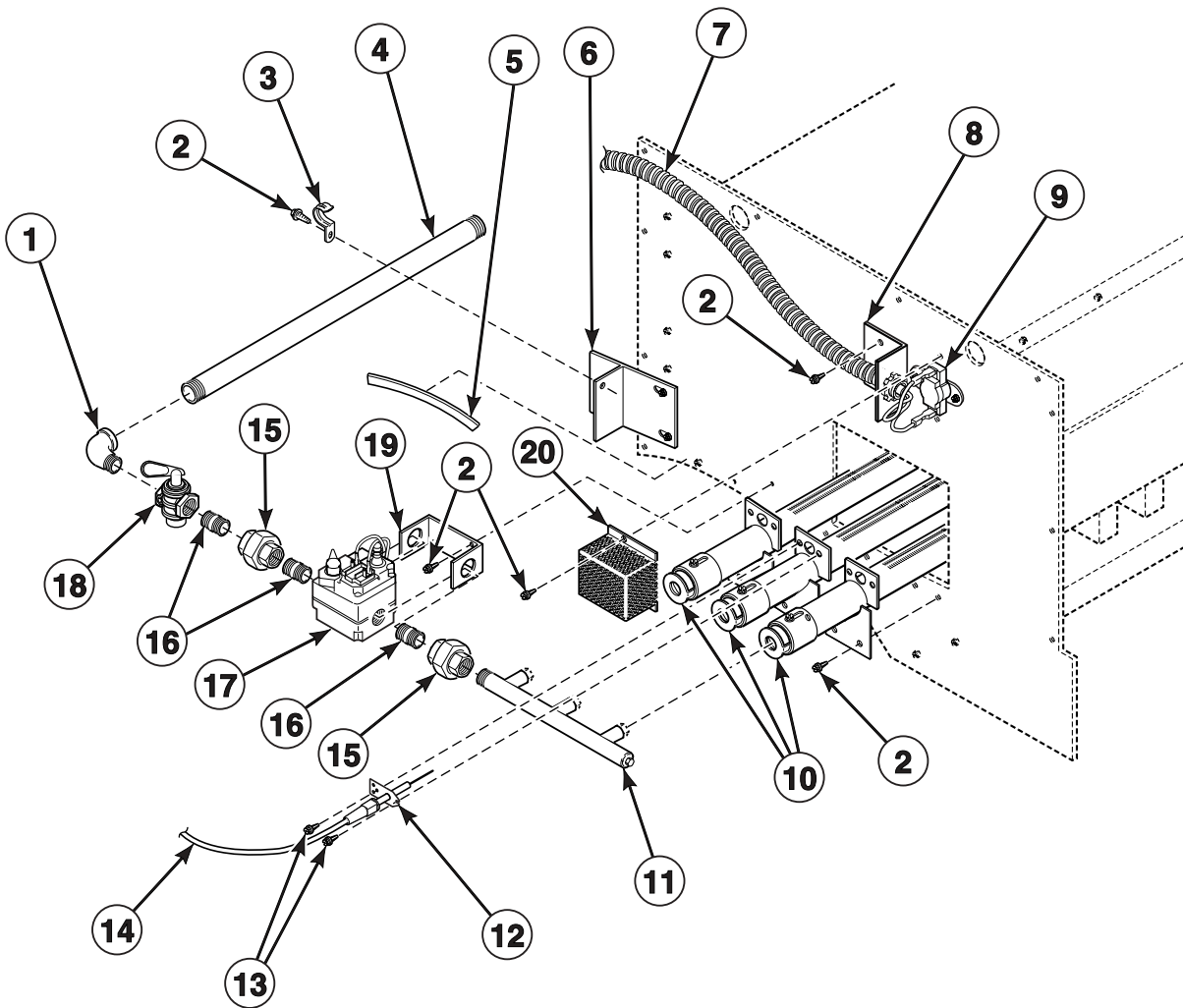


T537P_M414401

Cylinder and Trunnion Shaft

REF	PART NO.	DESCRIPTION	COMMENTS
	M401402	Spacer	
1	H96427513	Cylinder	Galvanized
	M409788	Cylinder	Stainless Steel
	M409659	Cylinder	Poly Coated
2	H96357744	Trunnion Assembly	
3	H88412101	Nut	
4	M412334	Rib Rod Nut	
5	H88301411	Rib Rod	
6	H96420013	Cylinder and Shaft Assembly	Galvanized
	M409789	Cylinder and Shaft Assembly	Stainless Steel
	M409708	Cylinder and Shaft Assembly	Poly Coated

Gas Burner Unit

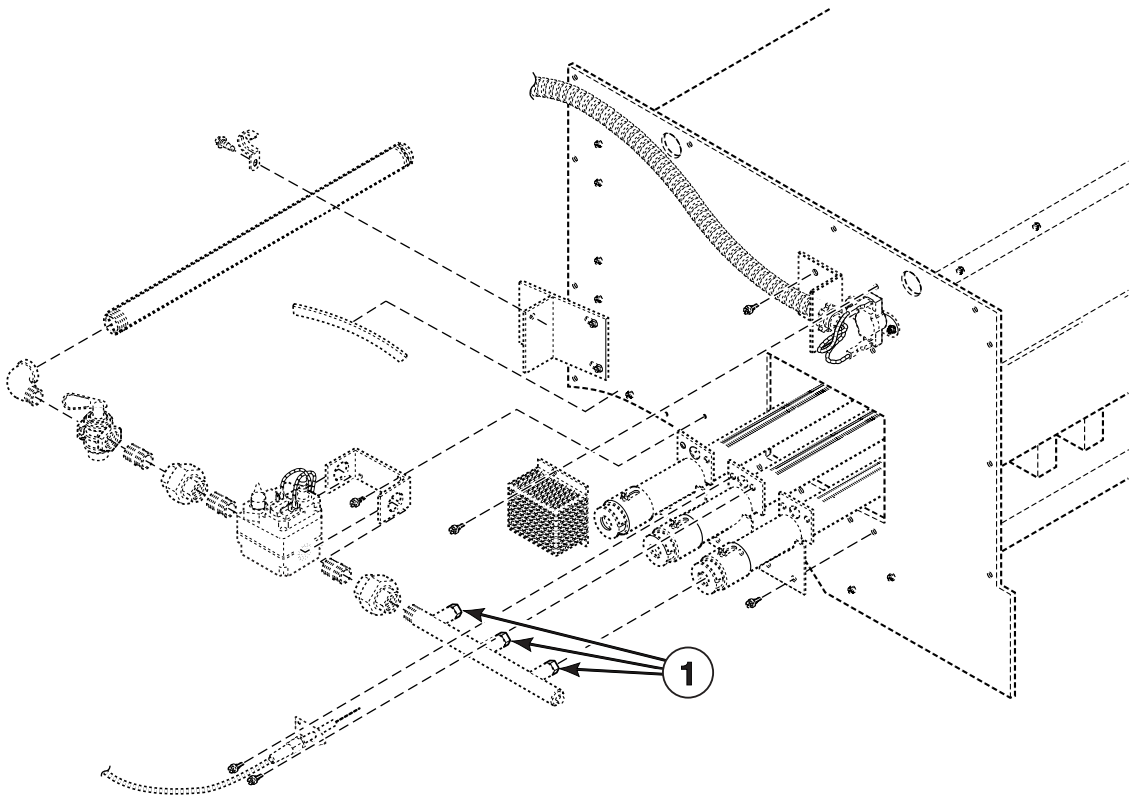


TMB1737P_M414401

Gas Burner Unit

REF	PART NO.	DESCRIPTION	COMMENTS
	M412180	Gas Valve Flange	50 Hertz; DC, JC and SC Models
	M412158	Gas Valve Flange Gasket	50 Hertz; DC, JC and SC Models
	M412159	Screw	Use with Gas Valve Flange
	M4573P3	Conversion Kit	Manual Timer and MM Micro Control; 60 Hertz; Natural Gas (N.G.) to Liquid Petroleum Gas (L.P.)
	M4577P3	Conversion Kit	OM Micro Control and Manual Timer; 50 Hertz; Control Circuit; N.G. to L.P.
	M411506	Stove Partition Gasket	Sold by foot; 3 feet required
	M411061	Sensor Wire	Australian Models
1	M411264	Elbow	
2	430497	Screw	
3	M411614	Clamp	
4	M411265	Gas Pipe	
5	M411505	Stove End Gasket	Sold by foot; 2 feet required
6	M411498	Bracket	
7	M413104	Wire Harness	
8	431078	Bracket	
9	M411404	Thermostat	60 Hertz; High Limit
	M413988	Thermostat	50 Hertz; High Limit Manual Reset
10	M412025	Burner	3 required
11	M411254	Spud Holder	
12	M410905	Igniter	Australian Models
	M406934P	Igniter	All other models
13	56693	Screw	
14	M410989	High Voltage Lead	Australian Models
	M411549	High Voltage Lead	All other models
15	M411419	Union	
16	M411417	Nipple	
17	M412362P	Gas Valve	60 Hertz; N.G. and L.P.; AT, DT, JT and ST Models; Manual Timer and MM Micro Control Models
	M412363P	Gas Valve	50 Hertz; N.G.; DT, JT and ST Models; Manual Timer Models
	M412364	Gas Valve	50 Hertz; L.P.; DT, JT and ST Models; Manual Timer Models
	M413466P	Gas Valve	60 Hertz; L.P.; AT, DT, JT and ST Models; OM Micro Control Models
	M413470P	Gas Valve	60 Hertz; N.G.; AT, DT, JT and ST Models; OM Micro Control Models
	M413465	Gas Valve	50 Hertz; L.P.; DT, JT and ST Models; OM Micro Control Models
	M413469	Gas Valve	50 Hertz; N.G.; DT, JT and ST Models; OM Micro Control Models
	M413070	Gas Valve	50 Hertz; DC, JC and SC Models
18	M413016	Shut-Off Valve	
19	M411259	Bracket	
20	M414477	Cover	

Gas Burner Orifices

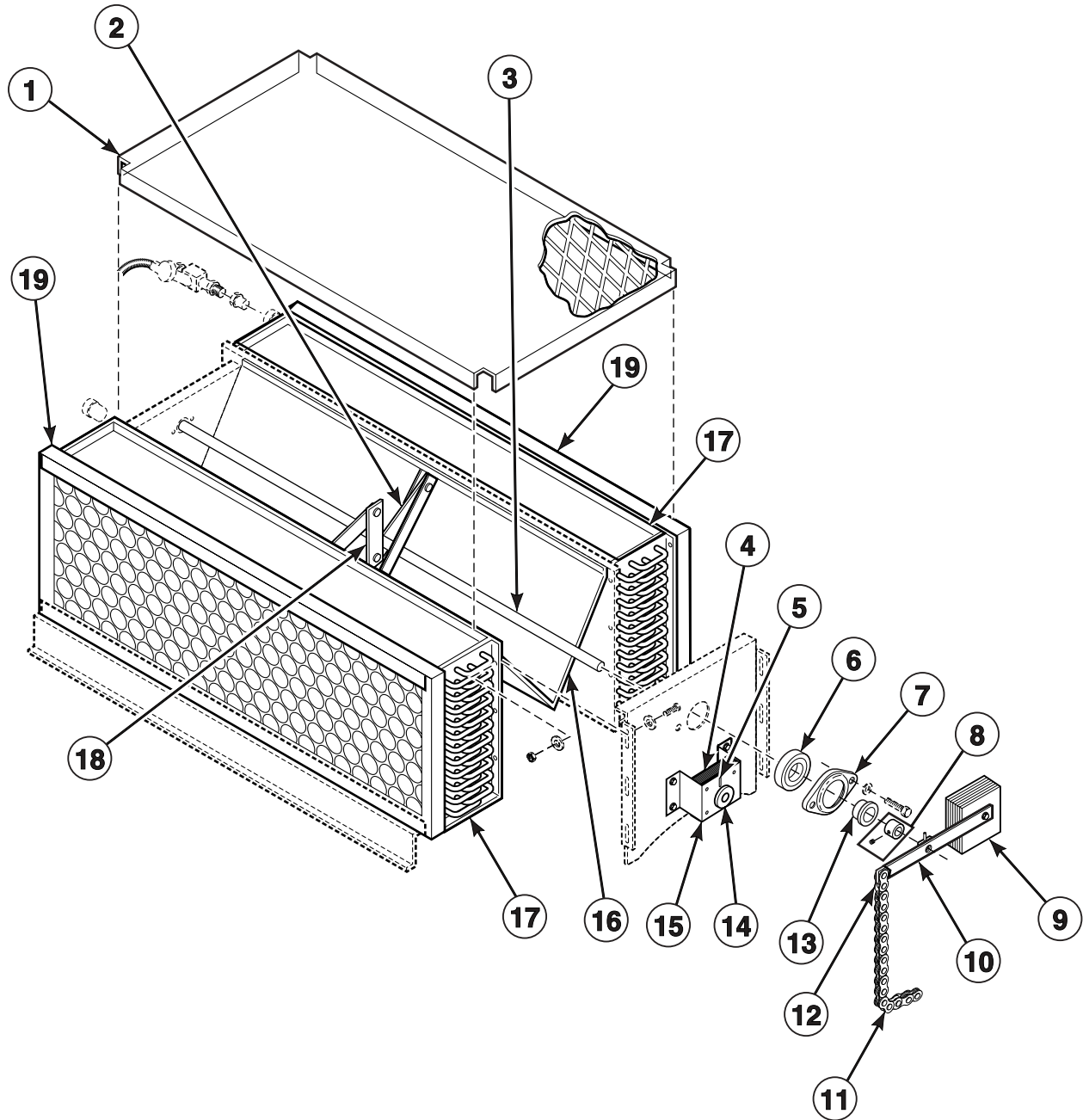


TMB1737PA_M414401

Gas Burner Orifices

REF	PART NO.	DESCRIPTION	COMMENTS
1	M411372	Burner Orifice	Natural Gas; 0-2,000 feet; No. 12
	M411371	Burner Orifice	Natural Gas; 2,001-4,000 feet; No. 14
	M411373	Burner Orifice	Natural Gas; 4,001-6,000 feet; No. 16
	M411374	Burner Orifice	Natural Gas; 6,001-8,000 feet; No. 17
	M402995	Burner Orifice	Natural Gas; 8,001-10,000 feet; No. 19
	M401022	Burner Orifice	L.P. Gas; 0-2,000 feet; No. 33
	M402487	Burner Orifice	L.P. Gas; 2,001-4,000 feet; No. 35
	M411375	Burner Orifice	L.P. Gas; 4,001-6,000 feet; No. 36
	M411376	Burner Orifice	L.P. Gas; 6,001-8,000 feet; No. 38
	M406361	Burner Orifice	L.P. Gas; 8,001-10,000 feet; No. 40

Steam Heating Unit



TMB2067P_M414401

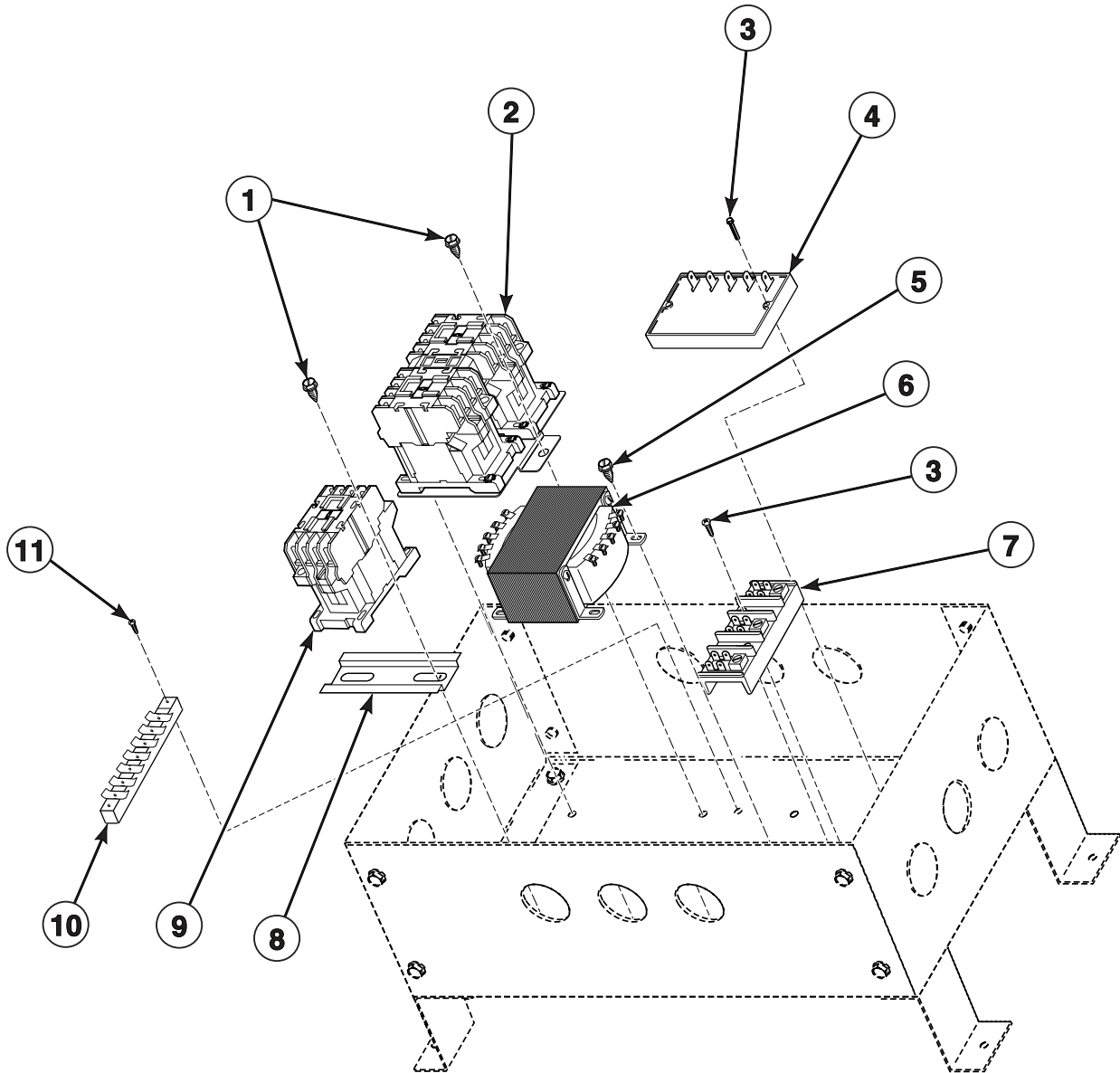
Steam Heating Unit

REF	PART NO.	DESCRIPTION	COMMENTS
	M413295	Steam Solenoid Valve	60 Hertz; AT, DT, JT and ST Models; Manual Timer and MM Micro Control Models
	M413298	Steam Solenoid Valve	50 Hertz; DT, JT and ST Models; Manual Timer Models
	M413445	Steam Solenoid Valve	24 Volt/50 Hertz; DC, JC and SC Models; DT, JT and ST Models with OM Micro Control
	N/A	Steam Solenoid Valve	24 Volt/60 Hertz; AT, DT, JT and ST Models with OM Micro Control
	70205601	Steam Solenoid Valve	24 Volt/60 Hertz; AT, DT, JT and ST Models with OM Micro Control
	M412258	Coil	24 Volt; Use with M413445 Valve
	M413451	Coil	24 Volt; Use with M413446 Valve (N/A)
	70205701	Coil	24 Volt; Use with 70205601 Valve
	M413299	Coil	110 Volt; Use with M413295 Valve
	M413302	Coil	240 Volt; Use with M413298 Valve
	H88970256	Actuator Pin	
1	44018401	Housing Cover	
2	H96388012	Damper Link	2 required
3	N/A	Damper Shaft	
4	M411339	Damper Motor	120 Volt/60 Hertz
	M411338	Damper Motor	240 Volt/60 Hertz
	M412905	Damper Motor	24 Volt/50 Hertz; DC, JC and SC Models; All OM Micro Control Models
	M413592	Damper Motor	24 Volt/60 Hertz; OM Micro Control Models
5	H88900683	Drive Wheel Pin	
6	H96382098	Bearing Insert	
7	H96382080	Bearing Flangette	2 included
8	M414451	Shaft Collar	For bronze bearing
9	M413331	Counterweight	6 required
10	H96387501	Actuator Arm Assembly	
11	H96388186	Chain	
12	H96382072	Connecting Link	2 required
13	M414459	Bronze Bearing	
14	H96388178	Damper Drive Wheel	
15	H96388145	Bracket	
16	H96387519	Damper Assembly	2 required
17	H96382023	Steam Coil	2 required
18	H96388061	Actuator	
19	H96382106	Filter	2 required

N/A = Part no longer available

Contactor Box

AT, DT, JT and ST Models



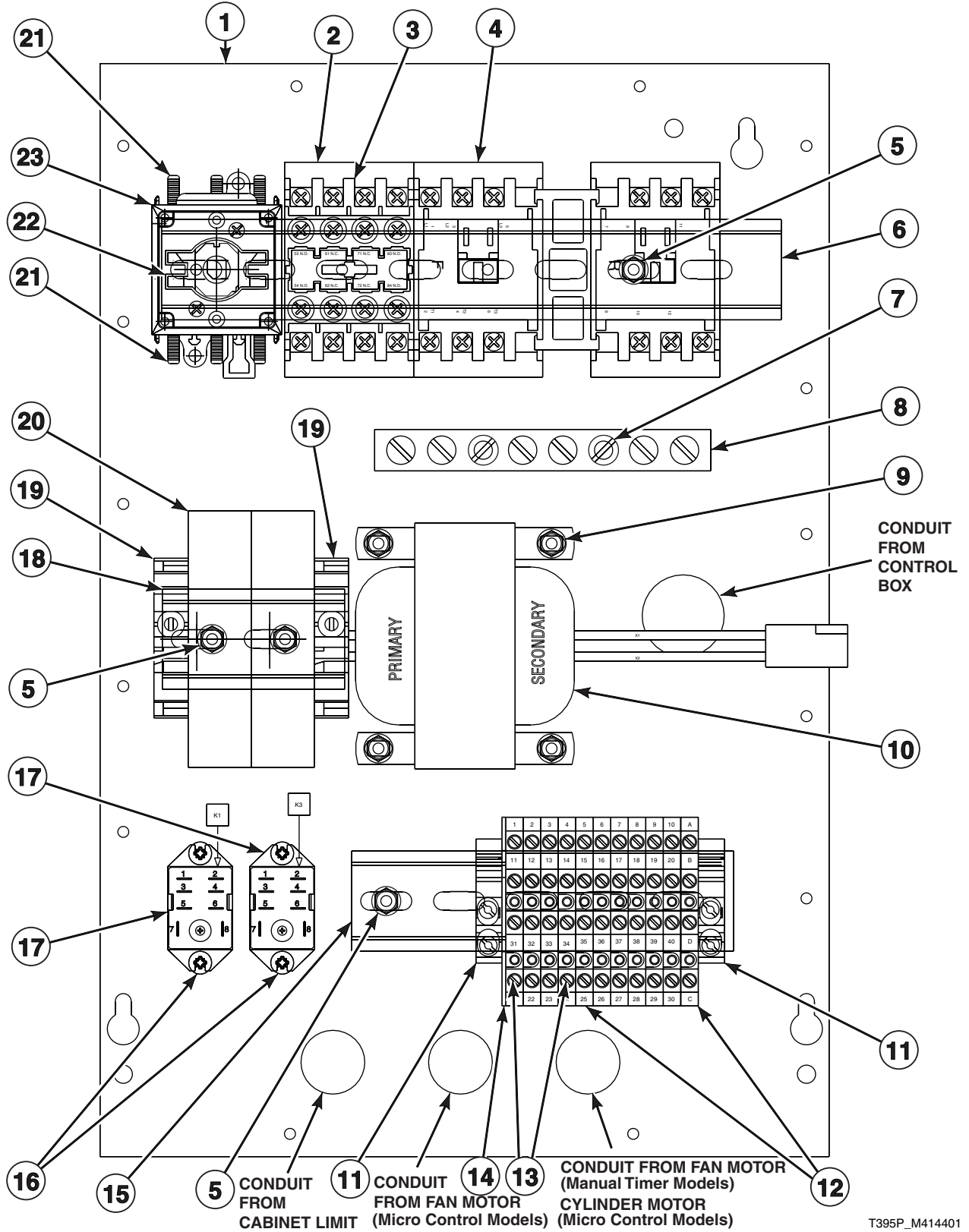
T341PZ3B_M414401

Contactor Box

REF	PART NO.	DESCRIPTION	COMMENTS
	23951	Nut	
1	33562	Screw	
2	M411269P	Reversing Contactor	120 Volt, 60 Hertz; Manual Timer and MM Micro Control Models
	M410515	Reversing Contactor	240 Volt, 50 Hertz; Manual Timer Models
	M413615P	Reversing Contactor	50-60 Hertz; OM Micro Control Models
3	62588	Screw	
4	M411683	Reversing Timer	
5	M400044	Screw	
6	M401391P	Transformer	50 Hertz; Manual Timer Models; On 50 Hertz models, transformer is located in temperature control area.
	M413100	Transformer	60 Hertz; Manual Timer and MM Micro Control Models
	M414228P	Transformer	60 Hertz/240 Volt; OM Micro Control Models
	M414229P	Transformer	50-60 Hertz/380-480 Volt; OM Micro Control Models
7	M405363	Terminal Block	3 pole
	M405364	Terminal Block	2 pole
8	M410501	Din Rail	
9	M410529	Fan Contactor	60 Hertz, 4 Pole; Manual Timer and MM Micro Control Models
	M410457	Fan Contactor	50 Hertz; Manual Timer Models
	M413614P	Fan Contactor	50-60 Hertz; OM Micro Control Models
10	H83103416	Terminal Strip	
11	51778	Screw	

Contactor Box

DC, JC, and SC Models



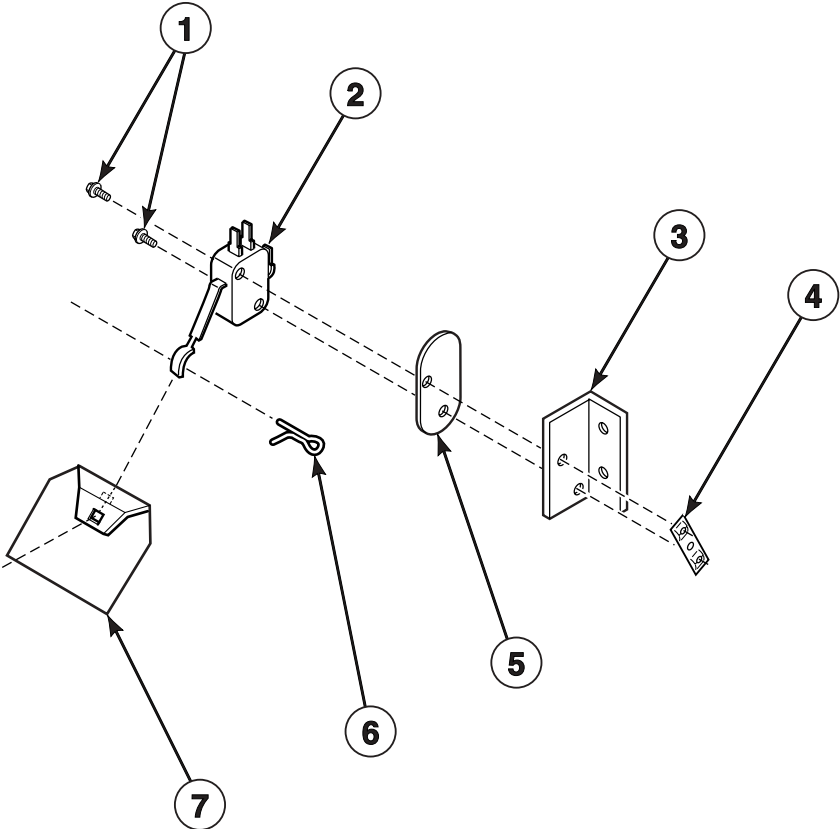
T395P_M414401

Contactor Box

REF	PART NO.	DESCRIPTION	COMMENTS
	502592	Fuse	Located on box side; 3.15 Amp; Manual Timer Models
	M413889	Fuse	Located on box side; 4 Amp; Micro Control Models
	502591	Fuse Holder Body	Located on box side
	502811	Fuse Holder Carrier	Located on box side
	23951	Nut	Micro Control Models
	M412996	Fuse	Manual Timer Models
	M413621	Fuse	Micro Control Models
1	M412648	Contactor Box Bottom	
2	M412404	Fan Contactor	
3	M412945	Auxiliary Contact Block	Gas Manual Timer Models
4	M412405	Reversing Contactor	
5	51780	Screw	
6	M412689	Din Rail	
7	M412688	Nut	
8	M412656	Ground Buss	
9	33562	Screw	Manual Timer Models
	M400044	Screw	Micro Control Models
10	M412412	Transformer	Manual Timer Models
	M414229	Transformer	Micro Control Models
11	70121001	End Stop	
12	M412631	Terminal Block	2 circuit; 7 required
13	M412632	Terminal Block	1 circuit; 4 required
14	M412633	End Barrier	
15	M412772	Din Rail	5 inch
16	501086	Screw	
17	M412534	Relay	2 required; Gas Manual Timer Models
18	M412771	Din Rail	
19	M412615	End Stop	
20	M412538	Terminal Block Fuse Holder	
21	M412366	Finger Guard	
22	M412370	Handle	
23	M412187	Mounting Base Switch	

Airflow Switch Assembly

Mounted on Back of Cabinet



TMB1739P_M414401

Airflow Switch Assembly

REF	PART NO.	DESCRIPTION	COMMENTS
1	M401938	Screw	
2	44021701	Switch	AT, DT, JT and ST Models
	431431	Switch	DC, JC and SC Models
3	H96418686	Bracket	
4	M400979	Twin Nut	
5	H96418728	Insulation	
6	02470	Cotter Pin	
7	430372	Vane	

Wire Harnesses

AT, DT, JT and ST Models

PART NO.	DESCRIPTION	COMMENTS
M413044	Cylinder Motor Harness	Gas and steam; MT/MM/OM models
M413042	Airflow Switch Harness	Gas and steam; MT/MM/OM models
M413054	Door Switch Harness	Gas and steam; MT/MM/OM models
M413055	Timer Controls Harness	Gas and steam; MT models
M413083	Cabinet High Limit Harness	Gas and steam; MT/MM/OM models
M413085	Ignition Control Harness	Gas; MT/MM models
M413534	Ignition Control Harness	Gas; OM models
M414227	Ignition Control Harness	Australian models; Gas; OM models
M413086	Damper Motor Harness	Steam; MT models
M413168	Damper Motor Bypass Harness	Steam; MM/OM models
M413087	Transformer Harness	Gas and steam; MT models
M413143	Main Harness	Gas and steam; MT/MM models
M413533	Main Harness	Gas and steam; OM models
M413145	Contacto Box Harness	Gas and steam; MT/MM models
M413147	Control Box Harness	Gas and steam; MM models
M413167	Control Box Harness	Gas and steam; MT models
M413104	Stove High Limit Harness	Gas; MT/MM/OM models
M413209	Fan Motor Harness	Gas and steam; MT/MM/OM models
M413210	C-Box to T-Box Harness	Gas and steam; MT/MM models
M414247	C-Box to T-Box Harness	Gas and steam; OM models

Wire Harnesses

DC, JC and SC Models

PART NO.	DESCRIPTION	COMMENTS
M413112	Airflow Switch Harness	Gas and steam; MT models
M414260	Airflow Switch Harness	Gas and steam; MM models
M413110	Cylinder Motor Harness	Gas and steam; MT/MM models
M413101	Door Switch Harness	Gas and steam; MT/MM models
M414261	Cabinet High Limit Harness	Gas and steam; MM models
M413086	Damper Motor Harness	Steam; MT/MM models
M414028	Transformer Harness	Gas and steam; MM models
M412641	Transformer Harness	Gas and steam; MT models
M414249	Main Harness	Gas and steam; MM models
M413107	Main Harness	Gas and steam; MM models
M414253	Control Box Harness	Gas and steam; MM models
M413644	Control Box Harness	Gas and steam; MT models
M413641	Timer Harness	Gas and steam; MT models
M413111	Fan Motor Harness	Gas and steam; MT/MM models
M413104	Stove High Limit Harness	Gas; MT/MM models
M413643	C-Box to T-Box Harness	Gas and steam; MT models
M414247	C-Box to T-Box Harness	Gas and steam; MM models
M414252	Ignition Control Harness	Gas; MM models

Parts Index

A

Actuator	
H96388061	37
Actuator Arm Assembly	
H96387501	37
Actuator Pin	
H88970256	37
Actuator Screw	
M409976	17
Airflow Switch Harness	
M413042	44
M413112	44
M414260	44
Auxiliary Contact Block	
M412945	41

B

Base Kit	
H608P3	29
Battery	
M410826	9
Bearing Flangette	
H96382080	37
Bearing Insert	
H8768212H	29
H96382098	37
Belt	
H8753170H	29
H87533014	21
H87533816P	21
Blower Motor Base Kit	
H608P3	27
Bolt	
H88001565	21
Bracket	
H96359021	19
H96388145	37
H96418686	43
H96428693	25, 29
M411259	33
M411498	33
431078	33
Bronze Bearing	
M414459	37
Bumper	
M411558	13
M411559	13
Burner	
M412025	33
Burner Orifice	
M401022	35
M402487	35
M402995	35
M406361	35
M411371	35
M411372	35
M411373	35
M411374	35

M411375	35
M411376	35
Bushing	
H87529111	27, 29
H8752985H	21
M412917	29

Buzzer	
500730	7
500823	7
502499	7

C

Cabinet High Limit Harness	
M413083	44
M414261	44
C-Box to T-Box Harness	
M413210	44
M413643	44
M414247	44

Chain	
H96388186	37

Clamp	
M411231	9
M411614	33

Coil	
M412258	37
M413299	37
M413302	37
M413451	37
70205701	37

Connecting Link	
H96382072	37

Contact Block	
M412231	7, 11

Contact Box Bottom	
M412648	41

Contact Box Harness	
M413145	44

Control	
M410786P	9
70228401P	11

Control Box Harness	
M413147	44
M413167	44
M413644	44
M414253	44

Conversion Kit	
M4573P3	33
M4577P3	33

CoolingTimer	
M410900P	5
M410902P	5
M412079P	5

Cotter Pin	
02470	43

Counterweight	
M413331	37

Cover	
H96358007	29
M414477	33

Cylinder	
H96427513	31
M409659	31
M409788	31
Cylinder and Shaft Assembly	
H96420013	31
M409708	31
M409789	31
Cylinder Drive Motor	
44052901	25
44053001	25
Cylinder Motor Harness	
M413044	44
M413110	44

D

Damper and Hinge	
M409967	27, 29
Damper Assembly	
H96387519	37
Damper Drive Wheel	
H96388178	37
Damper Link	
H96388012	37
Damper Motor	
M411338	37
M411339	37
M412905	37
M413592	37
Damper Motor Bypass Harness	
M413168	44
Damper Motor Harness	
M413086	44
Din Rail	
M410501	39
M412689	41
M412771	41
M412772	41
Door Assembly	
M410289*	17
M410290	17
Door Catch	
M401223	15
Door Gasket	
H96409156	17
Door Glass and Seal Kit	
M409899P	17
Door Glass Seal	
M409900	17
Door Handle	
M400133	17
Door Strike Screw	
M400661	17
Door Switch	
H96422241	15
M412372	15
Door Switch Coupler	
M412551	15
Door Switch Harness	
M413054	44
M413101	44
Drive Guard Bottom	
M411223	19

Drive Guard Cover	
M414492	19
Drive Guard Side	
M414491	19
Drive Guard Top	
M411222	19
Drive Sheave	
H87520334	25
H87520466	25
Drive Wheel Pin	
H88900683	37
Drying Timer	
M410901P	5
M410903P	5
M412080P	5

E

Elbow	
M411264	33
Emergency Stop Button	
M412232	7
M412233	11
Emergency Stop Graphic Panel	
M414245	11
M414245R	11
M414246	11
M414246R	11
End Barrier	
M412633	41
End Stop	
M412615	41
70121001	41
Eyebolt	
M411337	21, 25, 29

F

Face Plate	
M413089*	9
M413793*	11
Fan	
M414546	27
Fan and Bushing Assembly	
M414546	29
Fan Contactor	
M410457	39
M410529	39
M412404	41
M413614P	39
Fan Cover	
H96358007	27
Fan Motor	
M412646	29
Fan Motor Harness	
M413111	44
M413209	44
Fan Shaft	
M412000	29
Filter	
H96382106	37
Finger Guard	
M412366	41

Flangette	
H8768302H	29
Front Panel	
M411383*	15
M411384	15
M413074*	15
M413075	15
M413092*P	15
M413274	15
Fuse	
M412996	41
M413118	7
M413621	41
M413889	41
502592	41
Fuse Holder	
91024	7
Fuse Holder Body	
502591	41
Fuse Holder Carrier	
502811	41

G

Gas Pipe	
M411265	33
Gas Valve	
M412362P	33
M412363P	33
M412364	33
M413070	33
M413465	33
M413466P	33
M413469	33
M413470P	33
Gas Valve Flange	
M412180	33
Gas Valve Flange Gasket	
M412158	33
Graphic Panel	
M413418	11
M413420	11
M413422	11
M413424	11
M413426	11
Ground Buss	
M412656	41

H

Handle	
M412370	41
Harness	
M413146	9
High Voltage Lead	
M410989	33
M411549	33
Hinge Pin	
M410029	15
M412749	15
Hole Plug	
M410665	9
Housing Cover	
44018401	37

I

Igniter	
M406934P	33
M410905	33
Ignition Control	
M406789P	7
M411282	7
M413433P	7
Ignition Control Harness	
M413085	44
M413534	44
M414227	44
M414252	44
Ignition Reset Switch	
M413431	5, 11
Insulation	
H96418728	43
Insulator	
H96418728	15

J

Jackshaft Assembly	
H96357751	21

K

Key	
H8752006H	25, 27, 29
Kickplate	
M414439P	13

L

Light	
M400703	5, 7
M400704	5, 7
M412234	5, 7
Lint Panel	
M411453*P	13
M411454	13
Lint Screen	
44039002	19
44063602	19
Lint Screen Clip	
H96418413	19
Lint Screen Frame	
M409652	19
Lockwasher	
H88511118	25
M400013	25, 27
M400014	21, 25
M400015	23
56552	27, 29
Lower Door Hinge	
M410031	17
M410702	17
Lower Panel Hinge	
M410042P	15

M

Main Harness	
M413107	44
M413143	44
M413533	44
M414249	44
Micro-Mounting Plate	
M413094	9
Motor	
M410860P	27
Motor Base	
M413171	25, 29
Mounting Base Switch	
M412187	41
Mounting Bracket	
H96428008	23
Mounting Plate	
M413091*	9
M413804	11

N

Nameplate	
M410355	13
M411562	13
M412963	13
70240901	13
Nipple	
M411417	33
Nut	
H88412093	25
H88412101	23, 31
M404993	21, 25
M412688	41
Q6163	17
20274	21, 23, 25
23951	13, 19, 39, 41
51236	17
70054	9, 11, 17
70142	25, 27

P

Pillow Block w/Bearing Insert	
H8762002H	29
Push-To-Start Switch	
M400954	5
M412230	5

R

Relay	
M400911	5
M400912	5
M412534	41
Retainer Ring	
H88602263	21
H88603477	21
Reversing Contactor	
M410515	39

M411269	39
M412405	41
M413615P	39
Reversing Timer	
M411683	39
Reversing/Nonreversing Switch	
M413270	7
Rib Rod	
H88301411	31
Rib Rod Nut	
M412334	31
Rivet	
M400713	9
Roller Catch with Strike	
H87020202	13

S

Screw	
H88001565	25
H8800901H	27, 29
H88012034	23
H88110267	15
H88129648	15
H88213996	23
M400044	13, 19, 39, 41
M400056	25, 27
M400072	5, 7, 15
M400664	9, 11, 19
M401902	5, 7, 9, 11
M401938	43
M409385	17
M411052	5
M411165	23
M411267	13, 15
M412159	33
M412531	15
M414504	13
22688	21, 25
33562	39, 41
430497	27, 33
430757	13
501086	41
51778	27, 39
51780	5, 41
56693	33
62588	39
Screw Hinge Mounting	
H88129648	17
M400044	17
Sensor Wire	
M411061	33
Shaft Collar	
M414451	37
Sheave	
H87520284	29
H87520334	29
H8752251H	21
Shut-Off Valve	
M413016	33
Spacer	
M401402	31
M413252	9
Spud Holder	
M411254	33

Steam Coil	
H96382023	37
Steam Solenoid Valve	
M413295	37
M413298	37
M413445	37
70205601	37
Step Pulley	
H96428024	21
Step Pulley Bearings	
H87672374	21
M414367	21
Stove End Gasket	
M411505	33
Stove High Limit Harness	
M413104	44
Stove Partition Gasket	
M411506	33
Switch	
M413270	9
431431	43
44021701	43
Switch Plate	
M413236	9

T

Taper Bushing	
H87529111	25
H87529129	25
Temperature Graphic Panel	
M411572	7
M411573	7
M411574	7
M412338	7
M412341	7
M412965	7
M412976	7
Temperature Knob	
M411344	7
M411345	7
Terminal Block	
M405363	7, 39
M405364	39
M412631	41
M412632	41
Terminal Block Fuse Holder	
M412538	41
Terminal Strip	
H83103416	39
Thermistor	
M413212	19
M414704	19
Thermistor Cable	
M413343	19
M413552	19
Thermostat	
H8900530H	27, 29
M411333P	7
M411403	27
M411404	33
M411946	29
M413088	29
M413988	33

Timer Controls Harness	
M413055	44
Timer Graphic Panel	
M411575	5
M411576	5
M411577	5
M412339	5
M412339R	5
M412342	5
M412964	5
M412975	5
M412975R	5
Timer Harness	
M413641	44
Timer Knob	
M400773	5
M410927	5
Top Access Panel	
M411348*	13
M411349	13
Touchpad	
M410682	9
M410704	9
M412961	9
Transformer	
M401391P	7, 39
M412412	41
M413100	39
M414228P	39
M414229	41
M414229P	39
Transformer Harness	
M412641	44
M413087	44
M414028	44
Trunnion Assembly	
H96357744	31
Trunnion Bearing	
H87625430	23
Tube	
H96428479	25
H96428487	21
H96428628	29
Twin Nut	
M400979	15, 43

U

U-Clip	
H8841927H	13
Union	
M411419	33
Upper Door Hinge	
M410030	17
M410701	17
Upper Panel Hinge	
M410041P	15

V

Vane	
430372	43

W

Warning Label

M410892	15
M431106	15
430527	15

Washer

M400080	25
M400081	21
M400671	15
Q6712	23

Wire Harness

M413104	33
---------------	----
